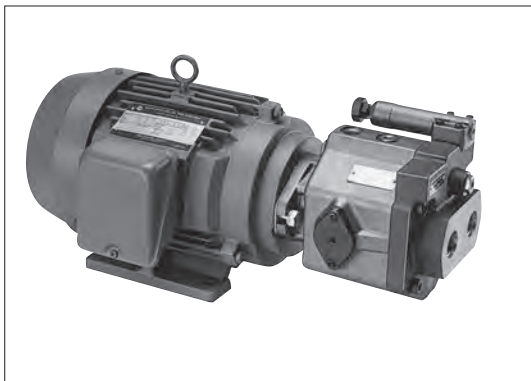
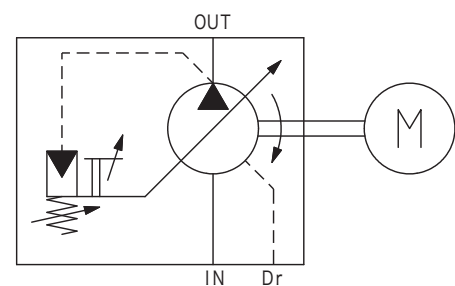


# Motor-pump direct coupled types TDM



- See page A4-1 – A4-16 for details of variable piston pump specifications.  
Control types in addition to pressure compensator ('C' type) also applicable.
- AC200 V 50/60 Hz or AC220 V 60 Hz are standard. Consult Tokyo Keiki for other voltages.

## Functional Symbol



## Model Code (example)

**TDM-2134**

1 2 3

1 Motor-pump direct coupled type

2 Pump model

16: P16 V

21: P21 V

31: P31 V

3 Electric motor ratings

074: 0.75 kW, 4P

14: 1.5 kW, 4P

24: 2.2 kW, 4P

34: 3.7 kW, 4P

54: 5.5 kW, 4P

Electric motor - hydraulic pump configurations

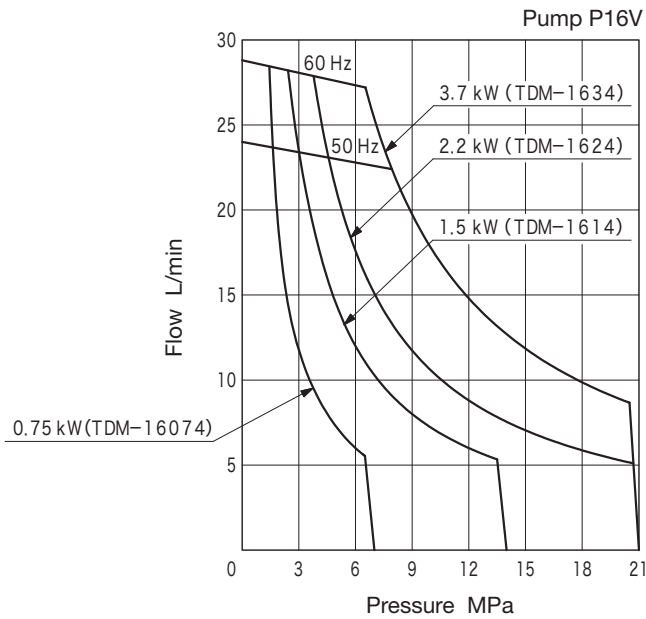
Electric Motor	Pump Model	P16V	P21V	P31V
	0.75 kW, 4P		TDM-16074	—
1.5 kW, 4P		TDM-1614	—	—
2.2 kW, 4P		TDM-1624	TDM-2124	TDM-3124
3.7 kW, 4P		TDM-1634	TDM-2134	TDM-3134
5.5 kW, 4P		—	TDM-2154	TDM-3154

- Electric motors with outputs up to 7.5 kW (4P) can also be provided. Please consult Tokyo Keiki.
- Tokyo Keiki can also provide combinations of hydraulic pumps and electric motors other than the ones given above. Check the pump flow and electric motor capacity, and then consult Tokyo Keiki.

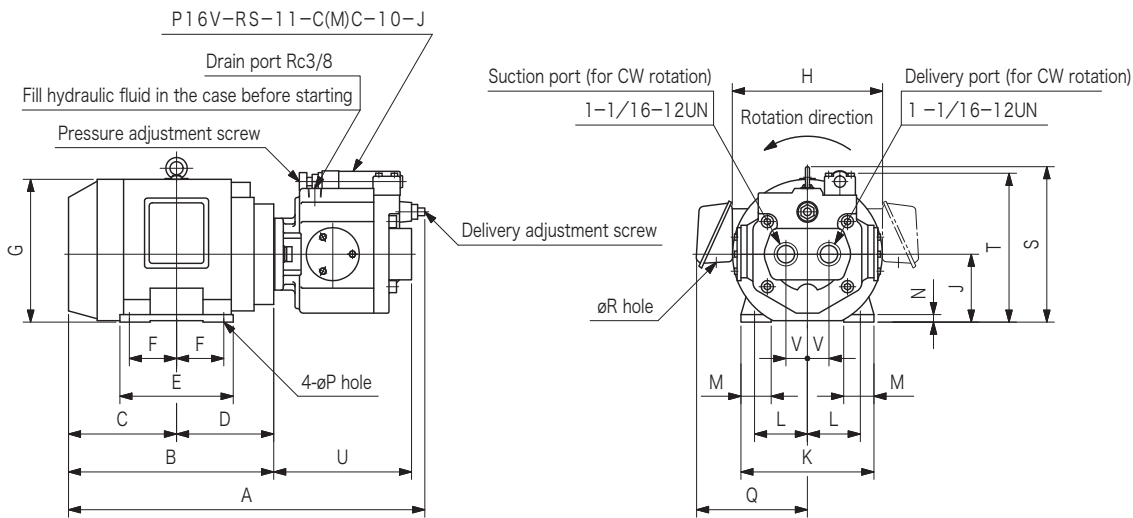
## Model Selection

- Applicable pressure-flow-electric motor output for each model is the area delineated by the curve.
- Select model based on the pressure and flow to be used and which falls within this area.

Pressure-Flow-Electric Motor Output Curves



## Dimensions (example)



Dimensions table

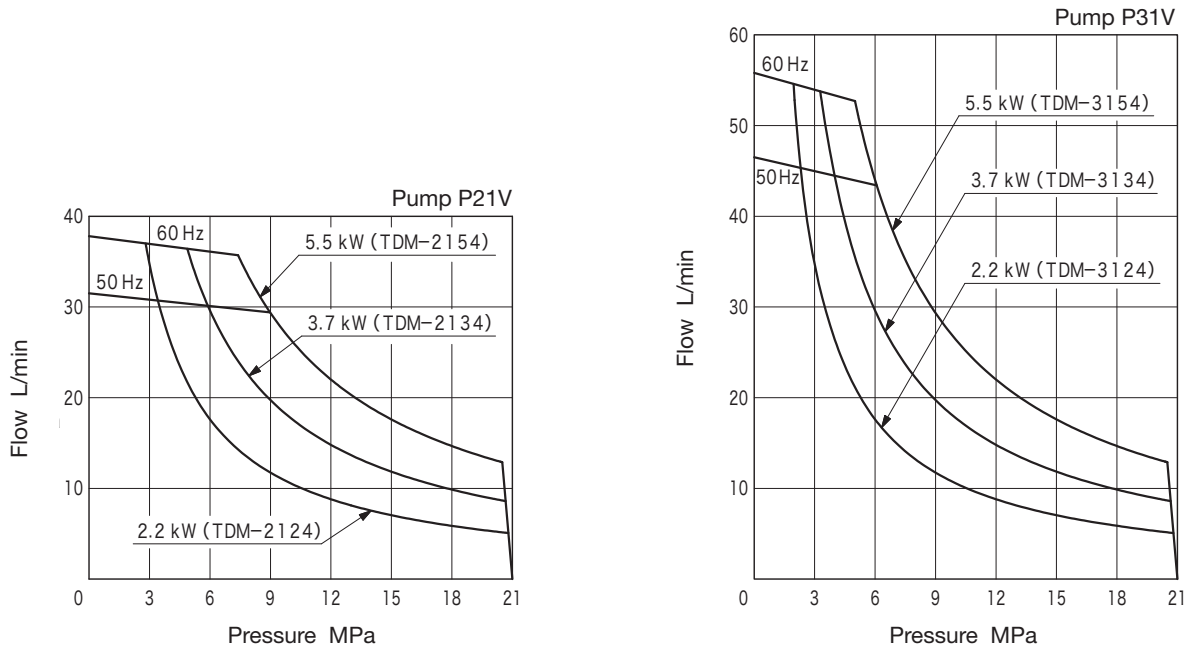
Model Code	Dimension mm																			Weight kg	
	A	B	C	D	E	F	G	H	J	K	L	M	N	P	Q	R	S	T	U		V
TDM-16074	437	238.5	133	105.5	130	50	165	170	80	165	62.5	35	4.5	10	146	22	—	190.5	181	28.5	29
TDM-1614	485.5	287	158.5	128.5	150	62.5	191	202	90	176	70	40	10	10	156	22	—	200.5	181	28.5	39
TDM-1624	510.5	312	173	139	168	70	201	202	100	200	80	40	12	12	161	27	239	210.5	181	28.5	45
TDM-1634	515.5	319	174	145	175	70	232	239	112	224	95	45	14	12	175	28	273	222.5	181	28.5	54

- Dimensions may be subject to change. Consult Tokyo Keiki for dimensional detail for specific models.
- Rotation direction and terminal box location shown above is standard. Consult Tokyo Keiki for opposite rotation and box location.
- Fittings for pump connection ports must be ordered separately.

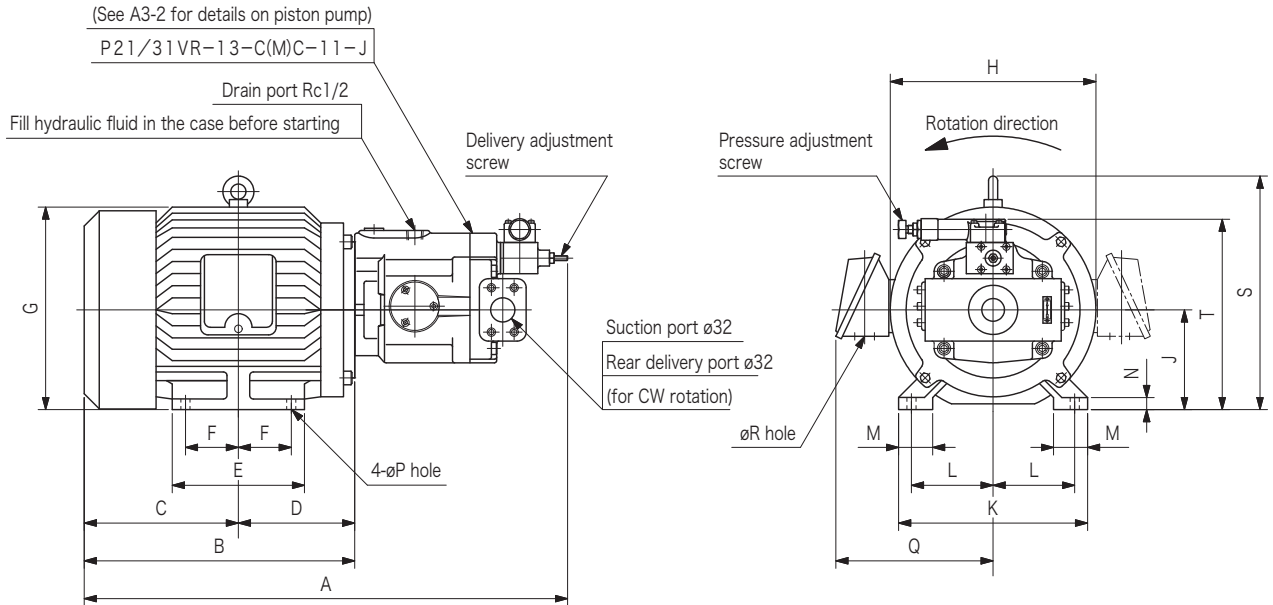
## Model Selection

- Applicable pressure-flow-electric motor output for each model is the area delineated by the curve.
- Select model based on the pressure and flow to be used and which falls within this area.

Pressure-Flow-Electric Motor Output Curves



## Dimensions (example)



Dimensions table

Model Code	Dimension mm																		Weight kg	
	A	B	C	D	E	F	G	H	J	K	L	M	N	P	Q	R	S	T		
TDM-2124	509	301	167	134	175	70	209.5	219	100	195	80	45	12.5	12	165	22	250.5	182.5	45.5	
TDM-3124																				
TDM-2134	609.6	328	183	145	168	70	233.5	243	112	220	95	40	12	12	177	27	274	232.7	64	
TDM-3134																				
TDM-2154	639.6	358	204	154	175	70	268	272	132	250	108	45	16	12	208	36	309	252.7	87	
TDM-3154																				

- Dimensions may be subject to change. Consult Tokyo Keiki for dimensional detail for specific models.
- Rotation direction and terminal box location shown above is standard. Consult Tokyo Keiki for opposite rotation and box location.
- Flanges for pump connection ports must be ordered separately.