

Super-pocket radio remote control system PRC3-340/360 series



This specified low-power type of pocket radio remote control system is used for long-range applications. Use the PRC3 when the operating range of the PRC2 is not enough.

The system's receiver is interchangeable with the PRC2 so it can be replaced without having to make any changes in the equipment that has been installed.

Features

1. The transmitter has been slimly crafted into a pocket-sized unit with a built-in antenna and no protruding parts. In addition, by molding rubber materials into an integrated form, the structure is highly resistant to drops and other impacts.
2. The system is compliant with the specified low-power uses stipulated under the Japanese Radio Law, obviating the need for any license in Japan and enabling immediate operation. Furthermore, a communication range of more than 150 meters (measured using the method employed by Tokyo Keiki) is ensured, enabling the system to be used stably.
3. The safety function equipped in the original pocket RC system PRC2 series are also inherited in the PRC3 series, such as the shut down function upon receipt of jamming signals or high level noises, pair-setting function using station codes, and many more.
4. The receiver is designed with the same specifications as the pocket radio remote control system PRC2 series, so it can be easily interchanged.
5. To prevent unnecessary battery consumption, the transmission of the radio signals is automatically shut down after 3 seconds of non-operation period (Periodic Operation Function). Furthermore, the transmitter will automatically turn off after 30 or more minutes of non-operation period (Auto Power Off Function).

Model Code

● System (transmitter + receiver + accessories)

U-PRC3-360C-10

- 1 System designation: PRC3-300 series
- 2 No. of operation signals
4: 4 signals
6: 6 signals
- 3 Optional specifications of transmitter
0: Standard
1: No auto power-off function
2: No periodic operation function
- 4 Output specifications of receiver
C: Relay contact output
V: Supply voltage common output
- 5 Design no.

● Transmitter

PRC3-TX-360-10

- 1 System designation: PRC3-300 series
- 2 No. of function switches
4: 4 switches
6: 6 switches
- 3 Optional specifications of transmitter
0: Standard
1: No auto power-off function
2: No periodic operation function
- 4 Design no.

● Receiver

PRC3-RX-360C-10

- 1 System designation: PRC3-300 series
- 2 No. of outputs
40: 4 outputs
60: 6 outputs
- 3 Output specifications of receiver
C: Relay contact output
V: Supply voltage common output
- 4 Design no.

Specifications

Transmitter specifications

Transmit frequencies	429 MHz band, 40 frequencies The 40 frequencies are divided up into 10 groups, and one frequency is automatically selected from four frequencies by one system.
Standard complied with	ARIB STD-T67
Control system	Digital code transmission system
Function switches	Momentary switches ON/OFF (common to each switch), 4 or 6 switches
Operable range	Approx. 150 m (under favorable ambient conditions; measured using the method employed by Tokyo Keiki)
Antenna	Built-in antenna
Power requirements	1.5 V "AAA" dry batteries x 3 (alkaline batteries)
Continuous usage time	Approx. 15 hours (measured using the method employed by Tokyo Keiki)
Power display	Monitor lamps (green and red)
Structure	Drip-proof (compliant with JIS D 0203 R1)
Working temperature range	-20 °C~+60 °C
Storage temperature range	-20 °C~+70 °C
Weight	Approx. 140 g (including batteries)

System configuration

Product	Qty
Transmitter	1
Receiver	1
Hook strap	1
Receiving antenna	1
Cable for receiving antenna (4 m)	1
Stand for receiving antenna	1
Connector housing and pin	1 set

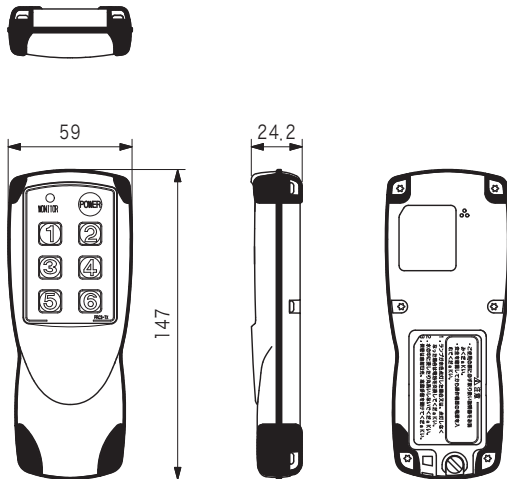
Note: The batteries are not provided with the system.

Receiver specifications

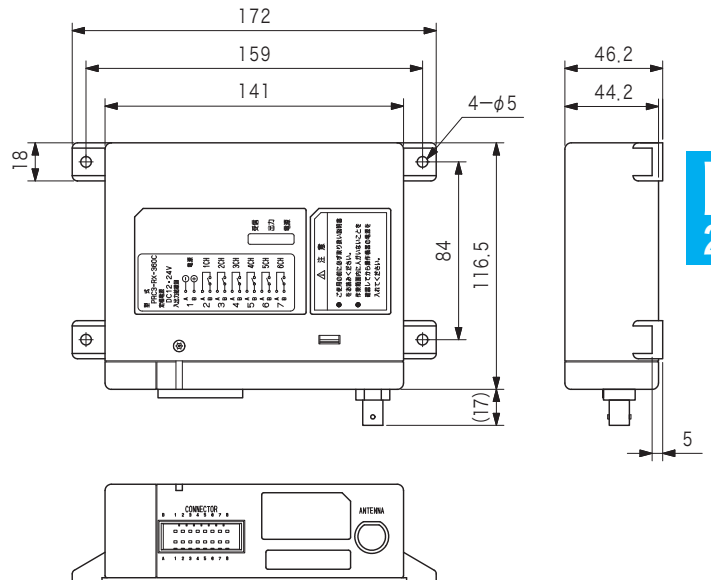
Receive frequencies	429 MHz band
Output specifications	Relay output Resistive load 5 A Inductive load 2 A (COS $\phi=0.4$) However, in the case of voltage outputs, the overall current of all output is less than 8 A.
Output circuit	Relay contact output circuit or supply voltage output circuit: 4 or 6 outputs
Operation response time	Approx. 0.6 sec. (after periodic operation function has been activated) Approx. 0.1 sec. (when a switch is operated again within 3 seconds after it was first operated) (As measured using the method employed by Tokyo Keiki)
Operational error prevention mechanism	Verification using 16-bit station code (ID code)
Antenna	1/4 λ whip antenna (flexible)
Supply voltage	DC 9 V~31 V
Power display	Monitor lamp (red)
Current consumption	Less than 1.2 A (excluding load current)
Vibration resistance	JIS D 1601-1995 Class 3B, Grade 70 (frequency category: 100)
Structure	Dust-proof capability: JIS D 0207-1977 F2
Working temperature range	-20 °C~+60 °C
Storage temperature range	-20 °C~+70 °C
Weight	Approx. 350 g

Dimensions

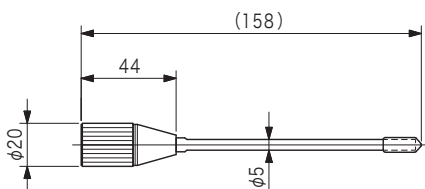
● Transmitter (PRC3-TX-360-10)



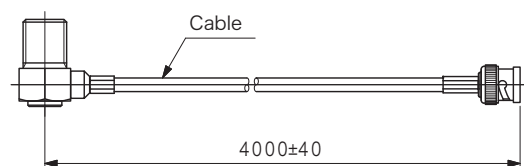
● Receiver (PRC3-RX-360C-10)



● Receiving antenna



● Cable for receiving antenna



M
2-2

Electronics Components