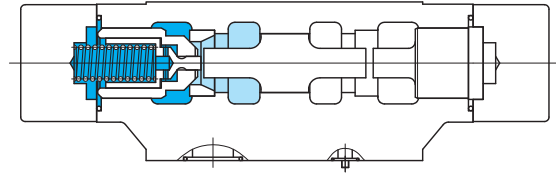
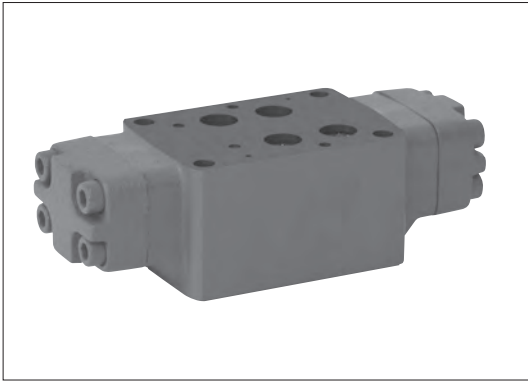
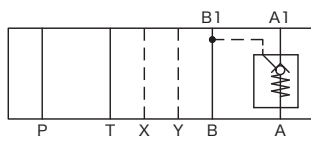


Pilot operated check valves TGMPC-7, 50 series

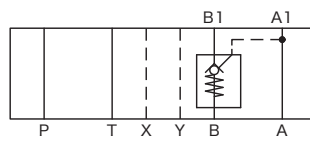


Functional Symbols

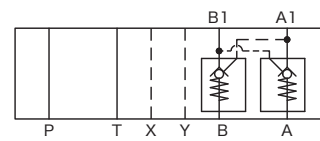
TGMPC-7-DAB*



TGMPC-7-DBA*



TGMPC-7-DAB*-DBA*



Model Code

TGMPC-7-DAB*-(DBA*)-50

1 2 3 4 5 6 7 8 9

1 Pilot operated check valves

2 Mounting dimensions

7: ISO 4401-AD-07-4-A

3 Decompression function

D: with decompression function

4 Control line

AB: control of A line check valve by B line pilot pressure

BA: control of B line check valve by A line pilot pressure

5 Cracking Pressure

M: 0.2 MPa

N: 0.5 MPa

6 Decompression function

D: with decompression function

7 Control line

BA: control of B line check valve by A line pilot pressure

8 Cracking pressure

See 5.

9 Design no.

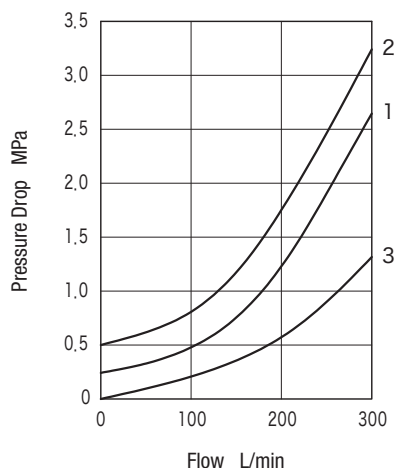
} for double check valve

Specifications

- Max. Working Pressure: 21 MPa
- Max. Flow: 300 L/min
- Piston:Seat Area Ratio; 14:1

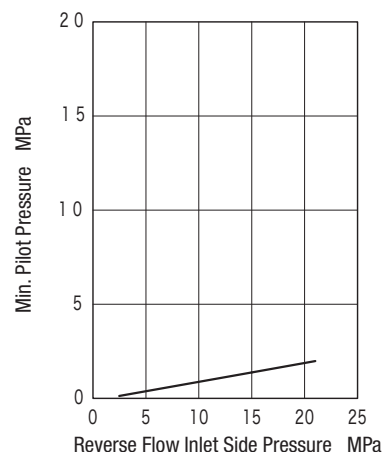
Characteristics Curve (at 32 mm²/s, 40°C) (typical examples)

■ Pressure Drop Characteristics



1. P → A, P → B
(Cracking pressure M)
2. P → A, P → B
(Cracking pressure N)
3. A → T, B → T

■ Minimum Pilot Pressure Characteristics



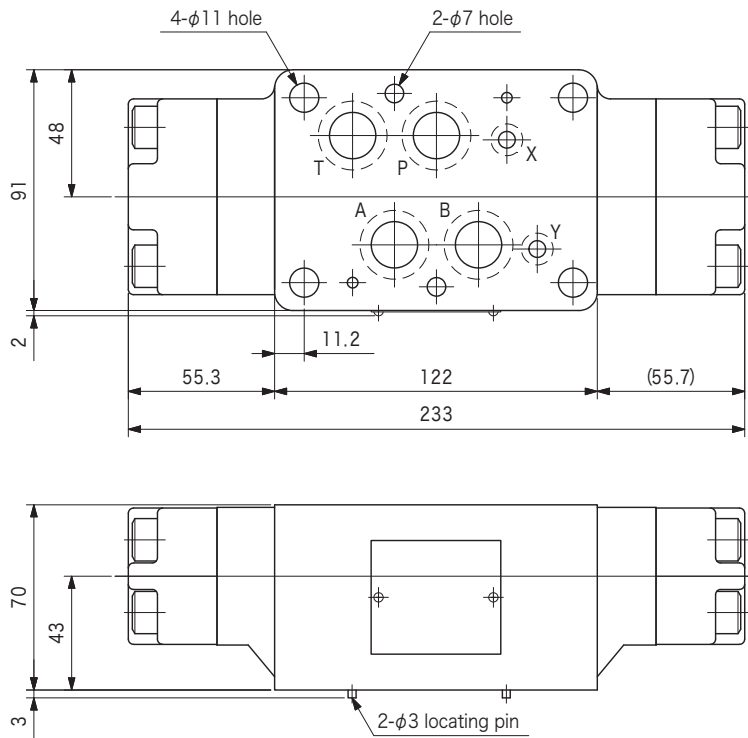
Dimensions

TGMPC-7-DAB*-DBA*-50

Weight: 7.0 kg

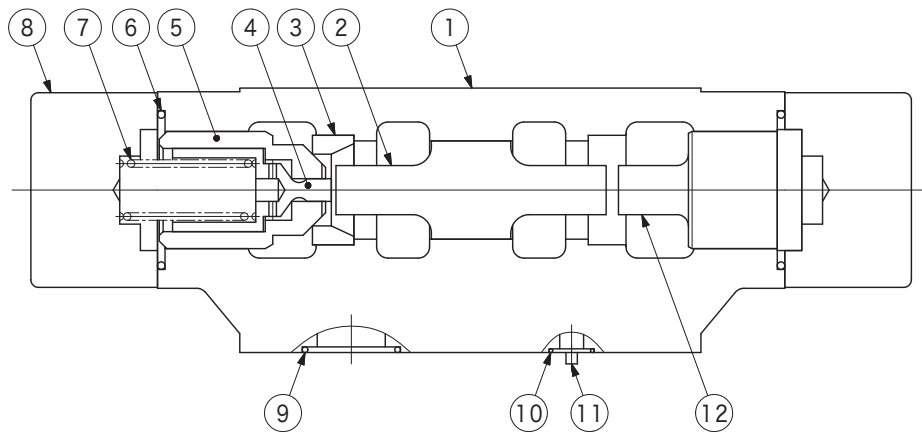
TGMPC-7-DAB*-50

TGMPC-7-DBA*-50



Construction

TGMPC-7-DAB*-50



No.	Name	Part No.	Standard	Qty
6	O-ring	007912719	AS568-127 (NBR, Hs90)	2
9	O-ring	007911819	AS568-118 (NBR, Hs90)	4
10	O-ring	007901319	AS568-013 (NBR, Hs90)	2