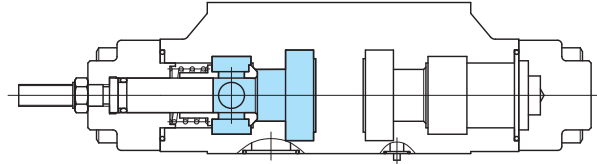
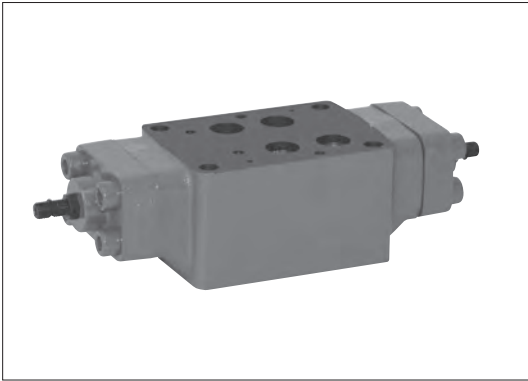
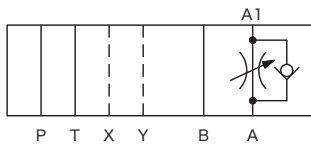


Restrictor valves TGMFN-7, 50 series

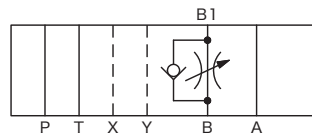


Functional Symbols

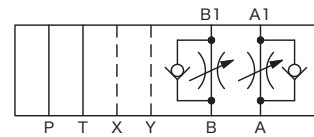
TGMFN-7-X-A2W



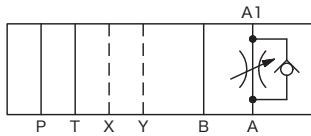
TGMFN-7-X-B2W



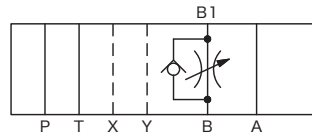
TGMFN-7-X-A2W-B2W



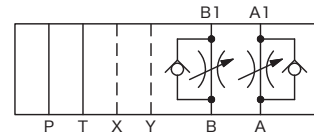
TGMFN-7-Y-A2W



TGMFN-7-Y-B2W



TGMFN-7-Y-A2W-B2W



Model Code

TGMFN-7-**-*2W-(B2W)-50

1 Restrictor

2 Mounting dimensions

7: ISO 4401-AD-07-4-A

3 Control direction

X: flow control to actuator (meter-in control)

Y: flow control from actuator (meter-out control)

4 Control line

A: A line

B: B line

5 Flow control

2: standard

6 Adjuster

W: hex socket adjustment screw

7 Control line

B: B line

8 Flow control

2: standard

9 Adjuster

W: hex socket adjustment screw

10 Design no.

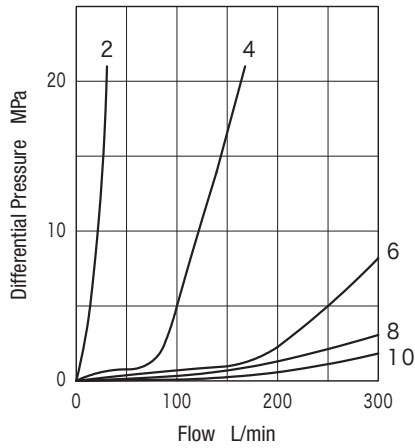
} for A, B dual line control (double type)

Specifications

- Max. Working Pressure: 21 MPa
- Max. Flow: 300 L/min
- Check Valve Cracking Pressure: 0.1 MPa

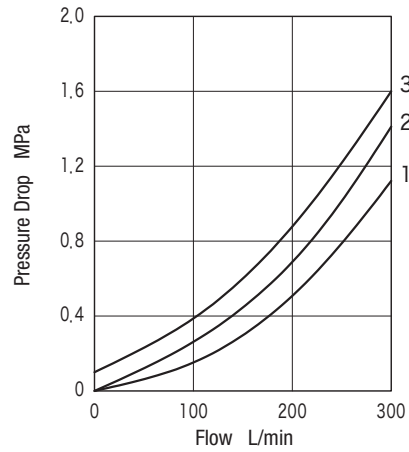
Characteristics Curve (at 32 mm²/s, 40°C) (typical examples)

■ Metering Characteristics



• Values show turns of adjustment screw from fully closed position.

■ Pressure Drop Characteristics

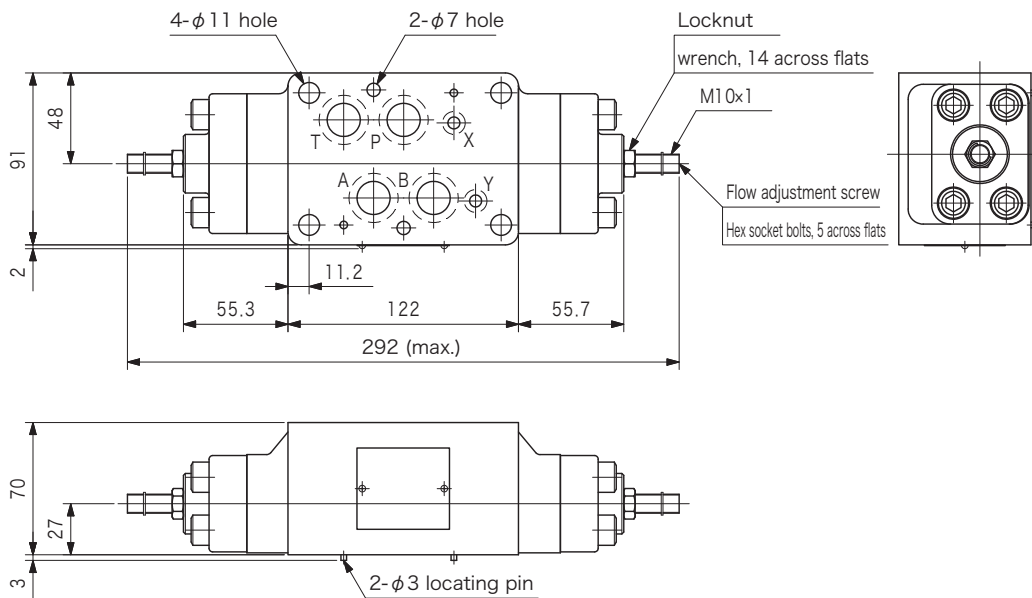


1. P (B) → A (T), P (A) → B (T): Restrictor fully opened
 2. P (B) → A (T), P (A) → B (T): Restrictor fully closed
 3. A (P) → T (B), B (P) → T (A): Restrictor fully opened

Dimensions

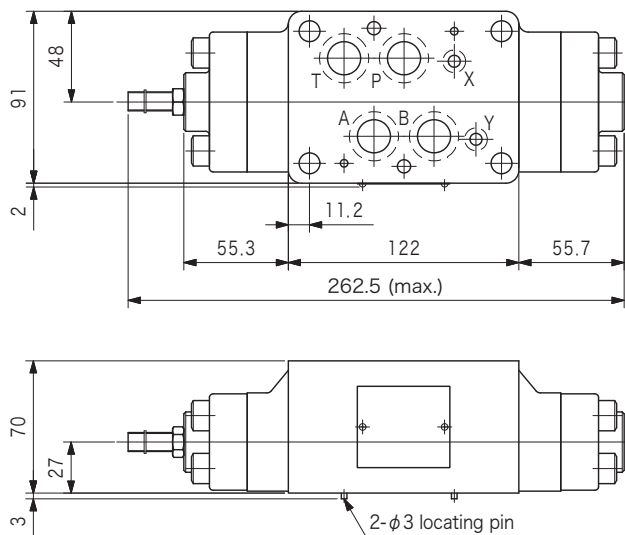
TGMFN-7-X-A2W-B2W-50

Weight: 6.9 kg



TGMFN-7-X-A2W-50

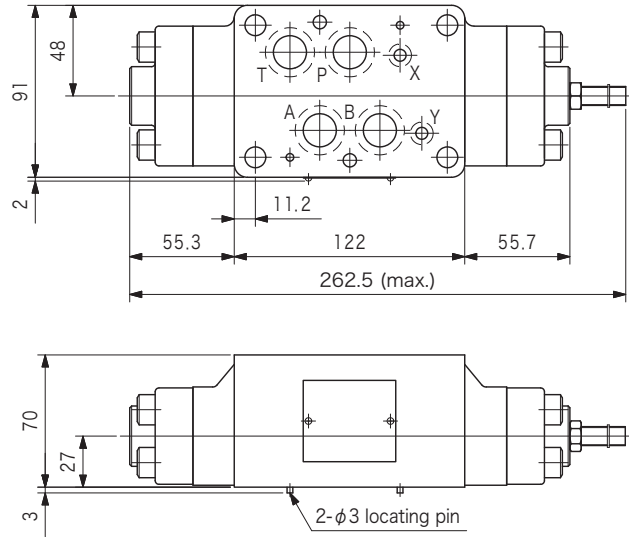
Weight: 6.7 kg



Dimensions

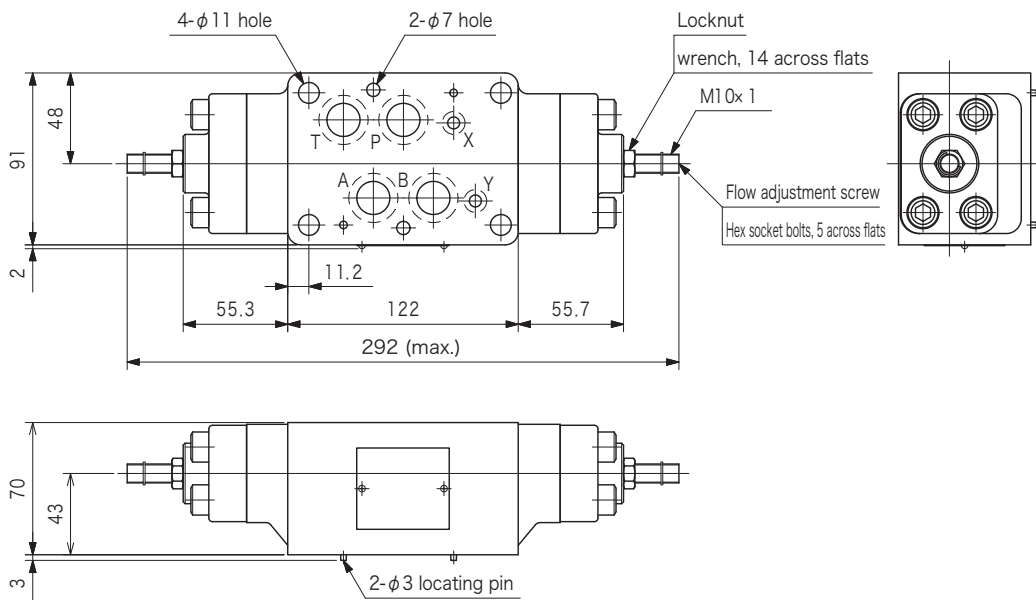
TGMFN-7-X-B2W-50

Weight: 6.7 kg



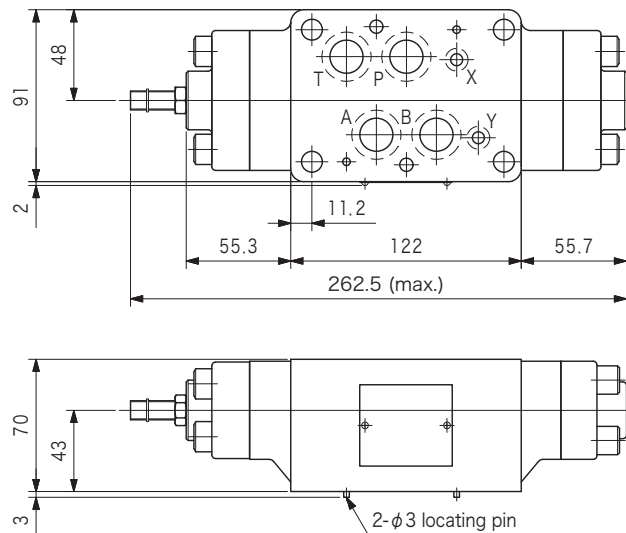
TGMFN-7-Y-A2W-B2W-50

Weight: 6.9 kg



TGMFN-7-Y-A2W-50

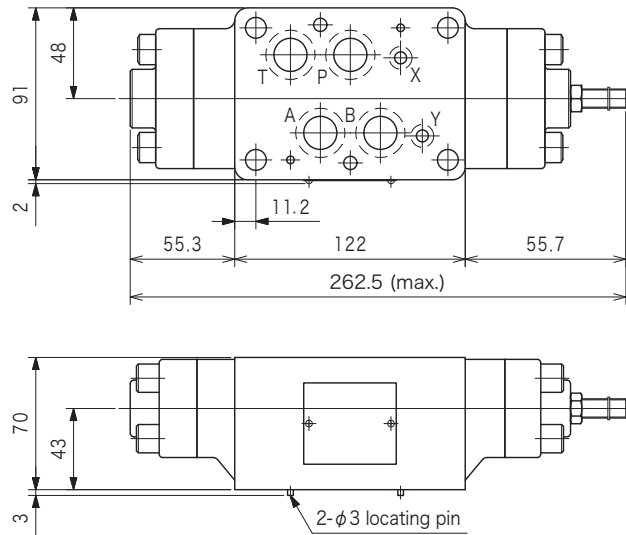
Weight: 6.7 kg



Dimensions

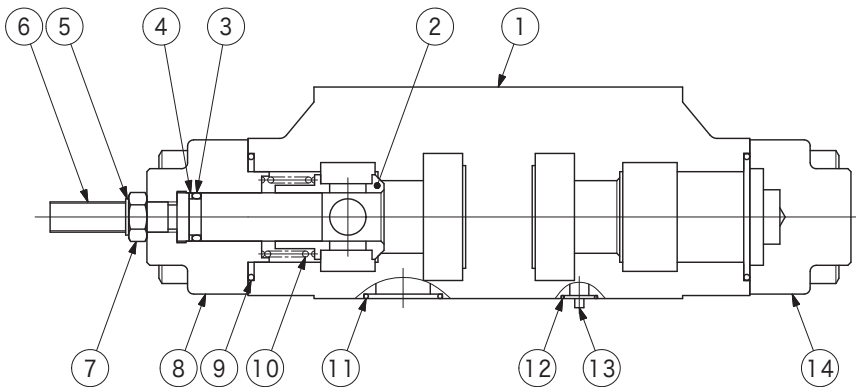
TGMFN-7-Y-B2W-50

Weight: 6.7 kg



Construction

TGMFN-7-*-A2W-50



No.	Name	Part No.	Standard	Qty	
				Single Type	Double Type
3	O-ring	-	JIS B 2401 1A-P12	1	2
4	Backup ring	-	JIS B 2407 T2-P12	1	2
9	O-ring	007912719	AS568-127 (NBR, Hs90)	2	2
11	O-ring	007911819	AS568-118 (NBR, Hs90)	4	4
12	O-ring	007901319	AS568-013 (NBR, Hs90)	2	2