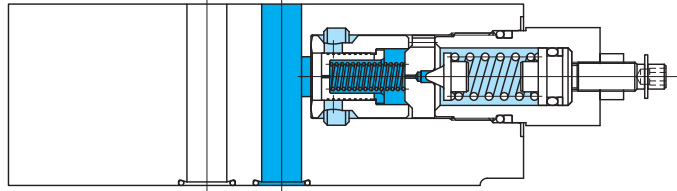


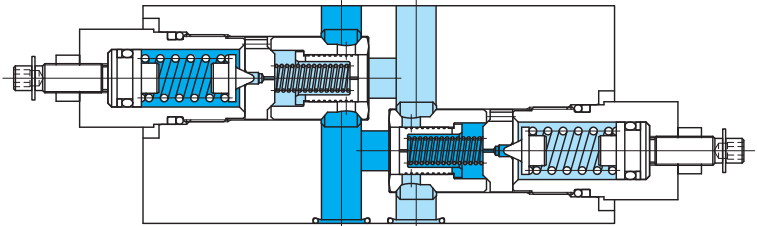
Pressure relief modules TGMC(2)-5, 50 series



Single Type



Double Type (Crossport Relief Valve)

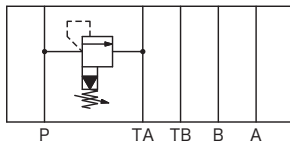


G
25-1

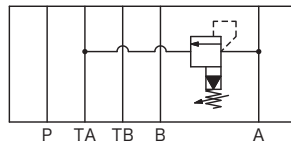
Stack Valves

Functional Symbols

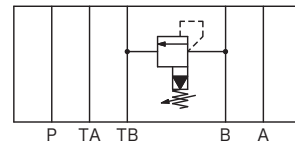
TGMC-5-PT



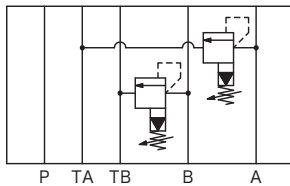
TGMC-5-AT



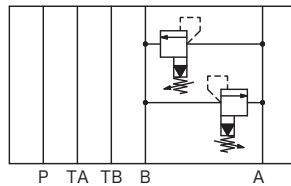
TGMC-5-BT



TGMC2-5-AT-BT



TGMC2-5-AB-BA



Model Code

(F3)-TGMC(2)-5-**-*W-(B*-*W)-50

1 2 3 4 5 6 7 8 9 10

1 Hydraulic fluid

Omit: mineral oil based fluid, water-glycol based fluid
F3: phosphate ester

2 Relief function

TGMC: single relief valve
TGMC2: double relief valve

3 Mounting dimensions

5: ISO 4401-05

4 Control line

PT: P → T relief (single relief valve only)
AT: A → T relief
BT: B → T relief (single relief valve only)
AB: A → B relief

5 Pressure adjustment range

A: (0.4)~5 MPa
B: (0.4)~10 MPa
F: (0.4)~20 MPa
G: (0.4)~31.5 MPa

(The minimum pressure differs depending on the flow. Refer to the characteristics curves.)

6 Adjuster

W: hex socket adjustment screw
H: knob

7 Control line (for TGMC2)

BT: B → T (double relief valve only)
BA: B → A (double crossport relief valve only)

8 Pressure adjustment range

See 5.

9 Adjuster

See 6.

10 Design no.

} for TGMC2

G
25-2

Stack Valves

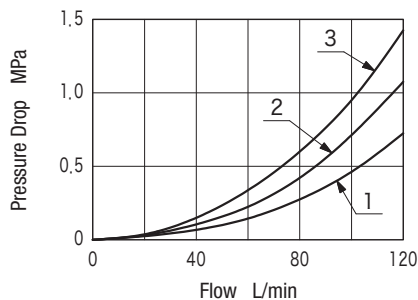
Specifications

- Max. Working Pressure: 31.5 MPa
- Max. Flow: 120 L/min

- Max. Pilot Flow: 700 cm³/min (50°C, 20 mm²/s at setting pressure 31.5MPa and 120 L/min)
- Pressure Override: below 3.1 MPa (fluid capacity 5L, supply flow 120 L/min, 3.5MPa to 31.5MPa. Rise time about 150 ms.)

Characteristics Curve (at 20 mm²/s, 50°C) (typical examples)

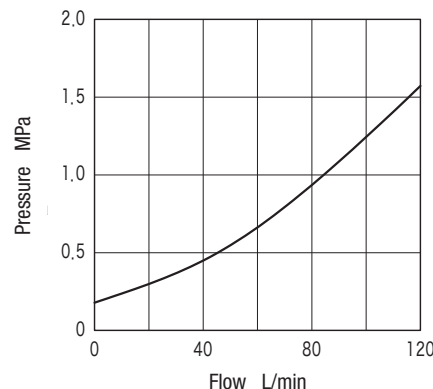
■ Pressure Drop Characteristics



- Total pressure loss of P, T, A, B ports of valve.

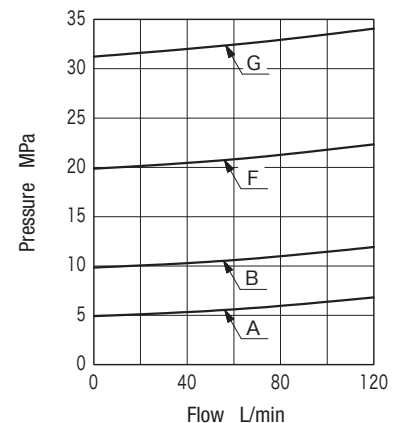
Model Code	Curve No.
TGMC-5-AT	1
TGMC-5-BT	
TGMC2-5-AT-BT	
TGMC-5-PT	2
TGMC2-5-AB-BA	3

■ Minimum Pressure Characteristics



- For minimum pressure of system, tank back pressure is added to these values.
- Not applicable to double crossport relief valve (AB-BA type)

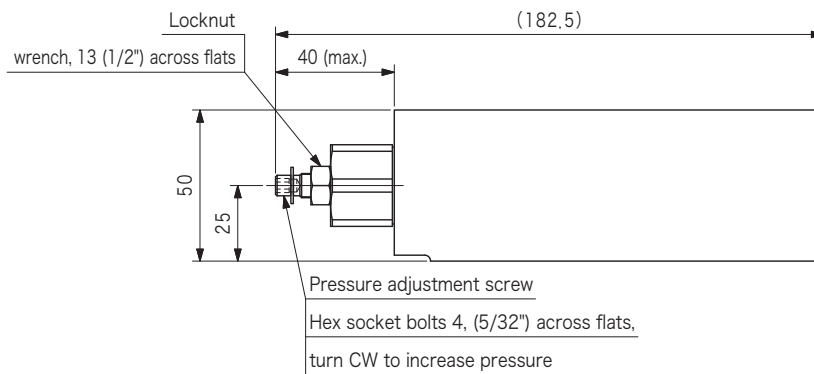
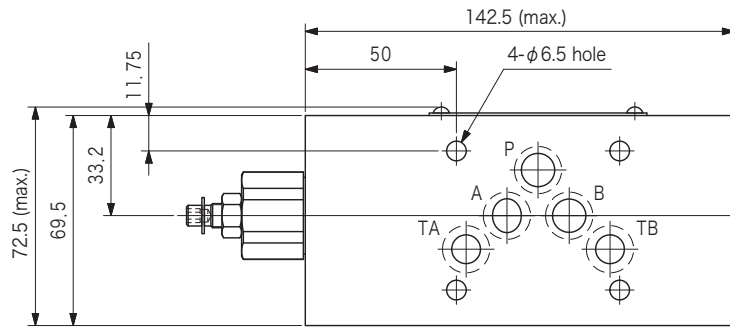
■ Pressure Override Characteristics



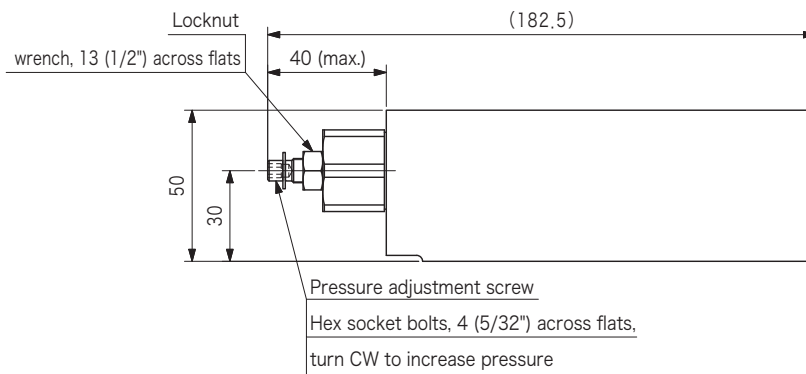
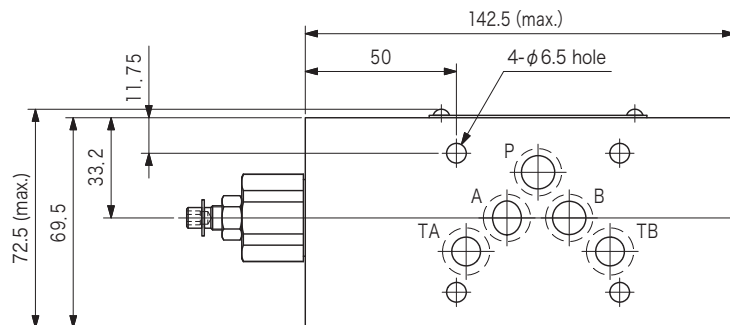
- Example is case where pressure adjustment range is set at maximum.
- For characteristics of system, tank back pressure is added to these values.

Dimensions

TGMC-5-PT-*W-50 (single relief valve) Weight: 2.9 kg

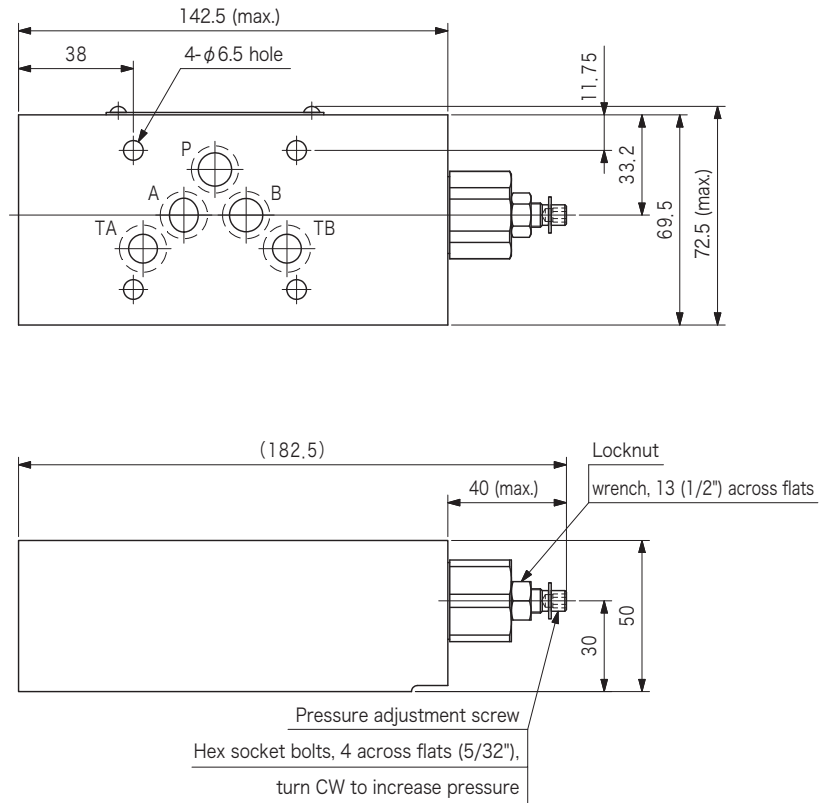


TGMC-5-AT-*W-50 (single relief valve) Weight: 2.9 kg



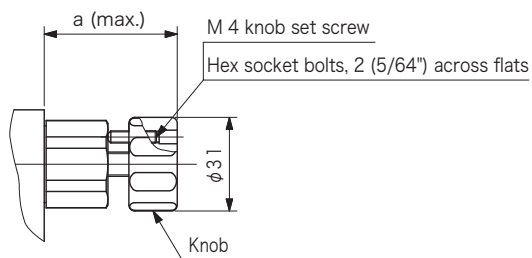
Dimensions

TGMC-5-BT-*W-50 (single relief valve) Weight: 2.9 kg



Pressure Adjuster

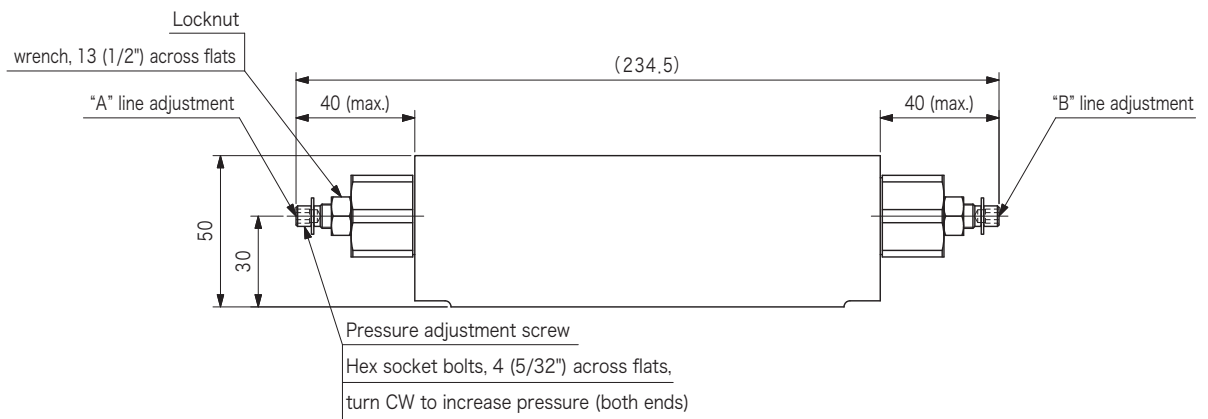
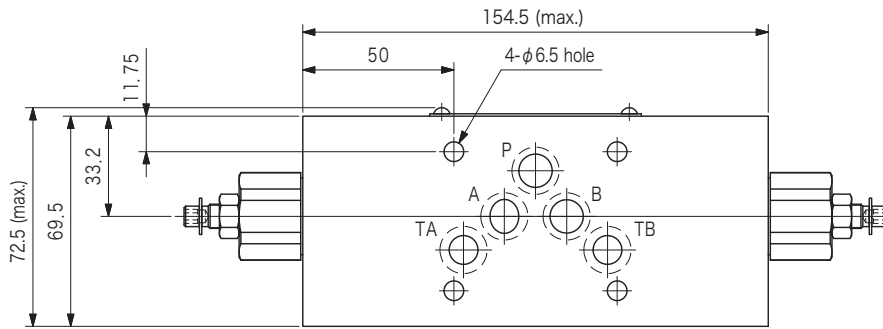
"H" Type Weight: +0.1 kg (compared to W type)



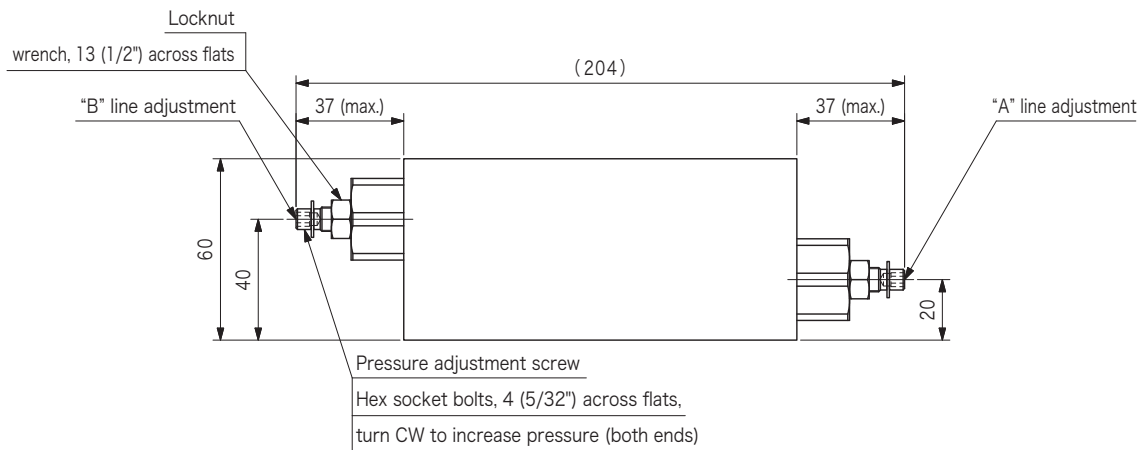
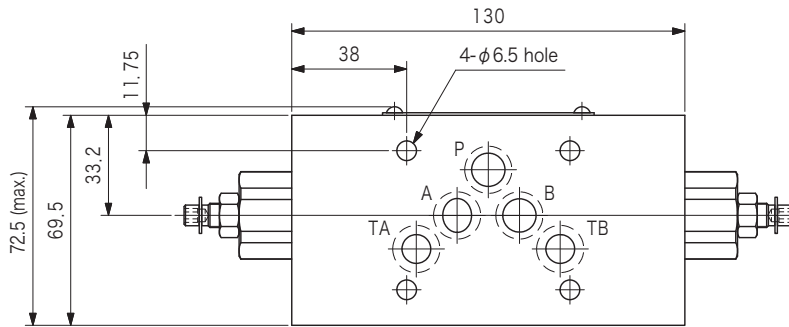
Model Code	a
TGMC2-5-AB-*H-BA-*H-50	41
TGMC(2)-5 except for above	44

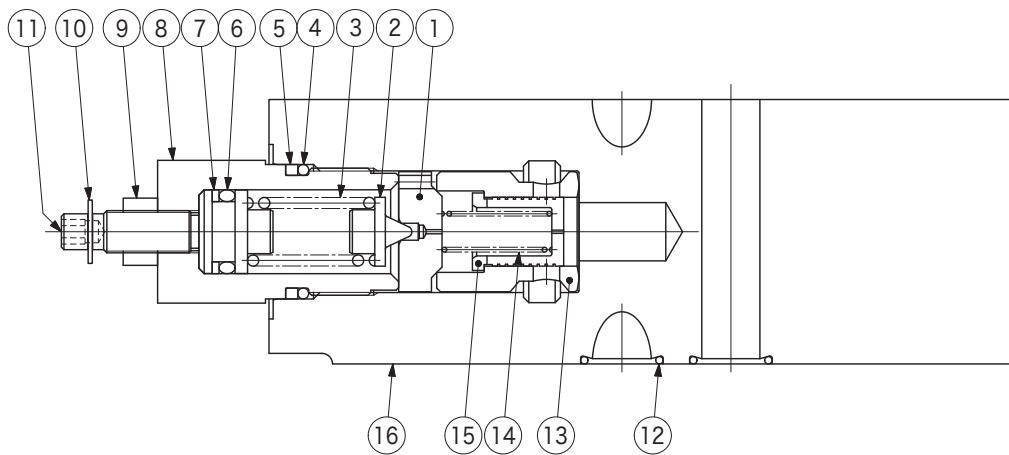
Dimensions

TGMC2-5-AT-*W-BT-*W-50 (double relief valve) Weight: 3.6 kg



TGMC2-5-AB-*W-BA-*W-50 (double crossport relief valve) Weight: 3.6 kg





Note: Two sets of parts, ①～⑪, ⑬～⑮ are used for double relief and double crossport relief valves.

No.	Name	Part No.	Standard	Qty	
				Single Type	Double Type
4	O-ring	007911717	AS568-117 (NBR, Hs70)	1	2
5	Backup ring	40025061	MS28774-117	1	2
6	O-ring	007911117	AS568-111 (NBR, Hs70)	1	2
7	Backup ring	40025057	MS28774-111	1	2
12	O-ring	007901419	AS568-014 (NBR, Hs90)	5	5

③ Spring

Code	Part No.
A	40025063
B	40025064
F	40025065
G	40025066