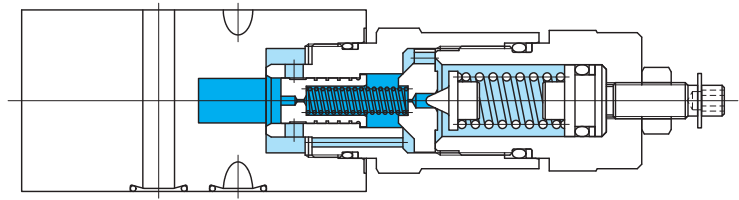
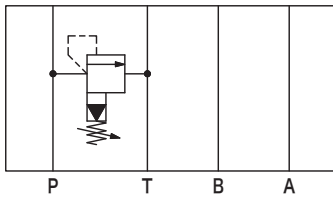


Pressure relief valves TGMC(2)-3, 50 series

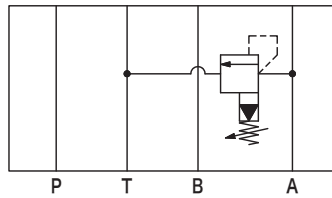


Functional Symbols

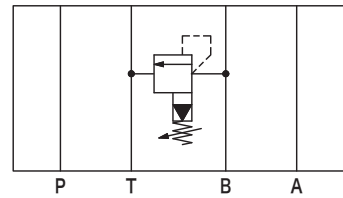
TGMC-3-PT



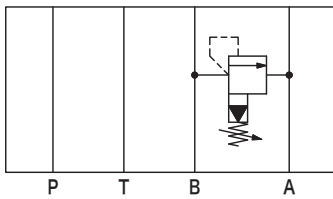
TGMC-3-AT



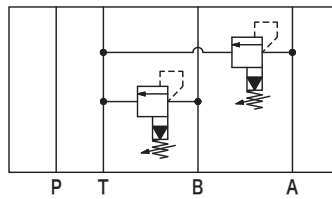
TGMC-3-BT



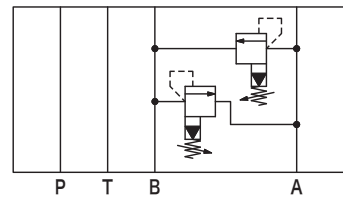
TGMC-3-BA



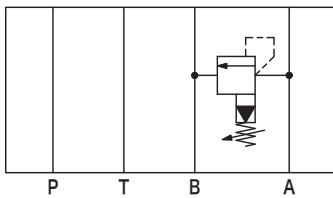
TGMC2-3-AT-BT



TGMC2-3-AB-BA



TGMC-3-AB



Model Code

(F3)-TGMC(2)-3-**(L)-*W-(B*-*W)-50

1 2 3 4 5 6 7 8 9 10 11

- 1 Hydraulic fluid
Omit: mineral oil based fluid, water-glycol based fluid
F3: phosphate ester
- 2 Relief function
TGMC: single relief valve
TGMC2: double relief valve
- 3 Mounting dimensions
3: ISO 4401-03
- 4 Control line
PT: P → T relief (single relief valve only)
AT: A → T relief
BT: B → T relief (single relief valve only)
AB: A → B relief
BA: B → A relief (single relief valve only)
- 5 Adjuster position: See "Dimensions".
- 6 Pressure adjustment range
A: (0.3)~5 MPa
B: (0.3)~10 MPa

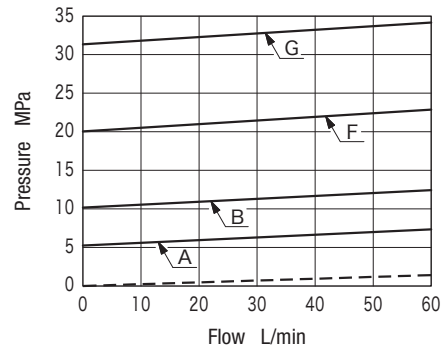
- F: (1)~20 MPa
G: (5)~31.5 MPa
(The minimum pressure differs depending on the flow. Refer to the characteristics curves.)
- 7 Adjuster
W: hex socket adjustment screw
H: knob
- 8 Control line (for TGMC2)
BT: B → T relief (double relief valve only)
BA: B → A relief (double crossport relief valve only)
- 9 Pressure adjustment range } for TGMC2
See 6.
- 10 Adjuster }
See 7.
- 11 Design no.

Specifications

- Max. Working Pressure: 31.5 MPa
- Max. Flow: 60 L/min

Characteristics Curve (at 20 mm²/s, 50°C) (typical examples)

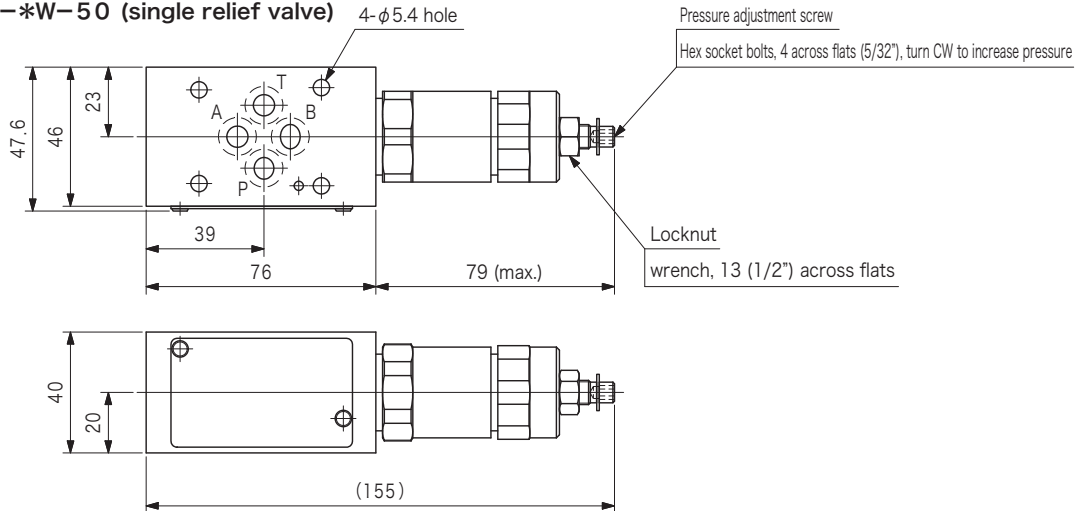
■ Pressure Override Characteristics



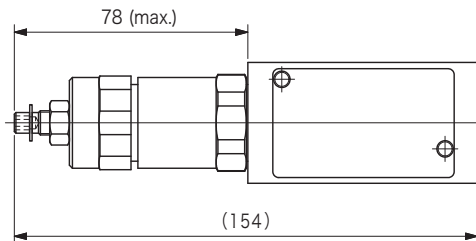
- Example is case where pressure adjustment range is set at maximum.
- Dashed line represents minimum pressure characteristics. (Adjustment screw fully loosened)
- For characteristics of system, tank back pressure is added to these values.

Dimensions

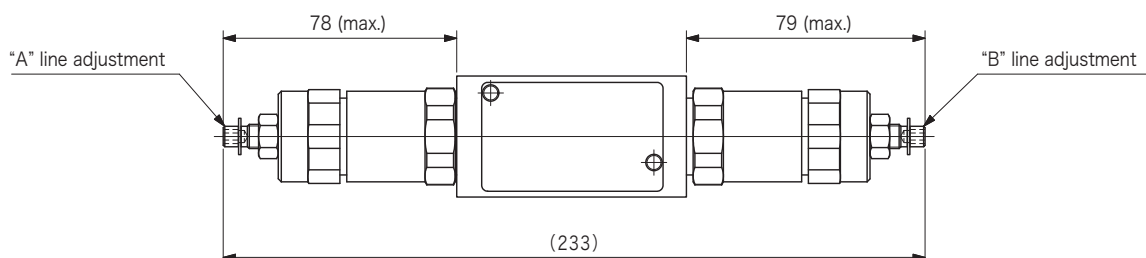
- TGMC-3-PT-*W-50 (single relief valve) Weight: 1.3 kg
 TGMC-3-BT-*W-50 (single relief valve)
 TGMC-3-ABL-*W-50 (single relief valve)
 TGMC-3-ATL-*W-50 (single relief valve)



- TGMC-3-AT-*W-50 (single relief valve) Weight: 1.3 kg
 TGMC-3-PTL-*W-50 (single relief valve)
 TGMC-3-BAL-*W-50 (single relief valve)
 TGMC-3-BTL-*W-50 (single relief valve)

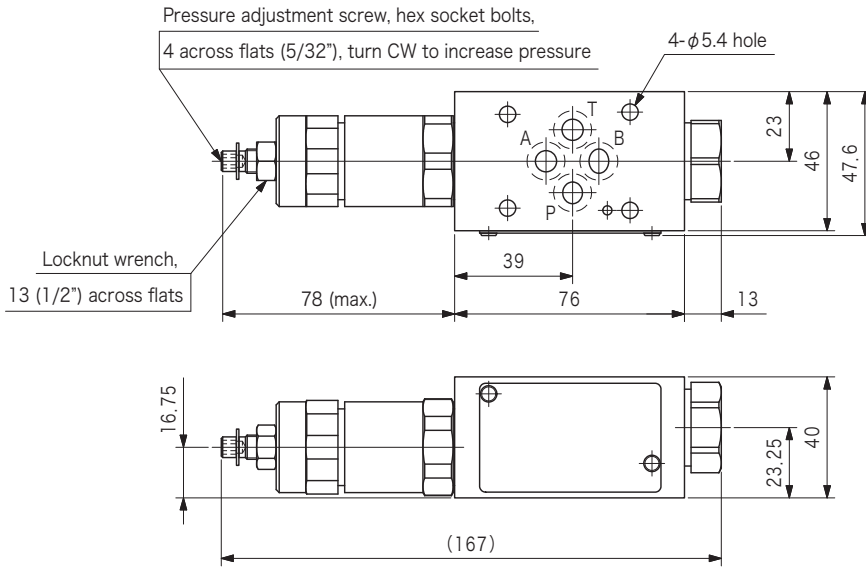


- TGMC2-3-AT-*W-BT-*W-50 (double relief valve) Weight: 2.5 kg

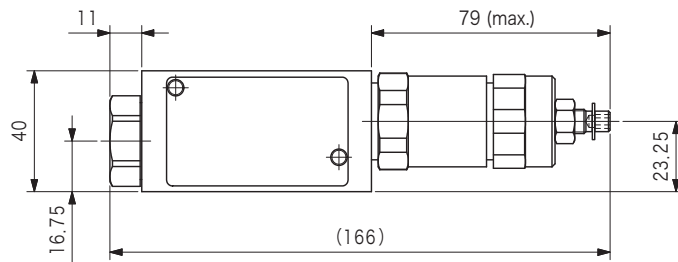


Dimensions

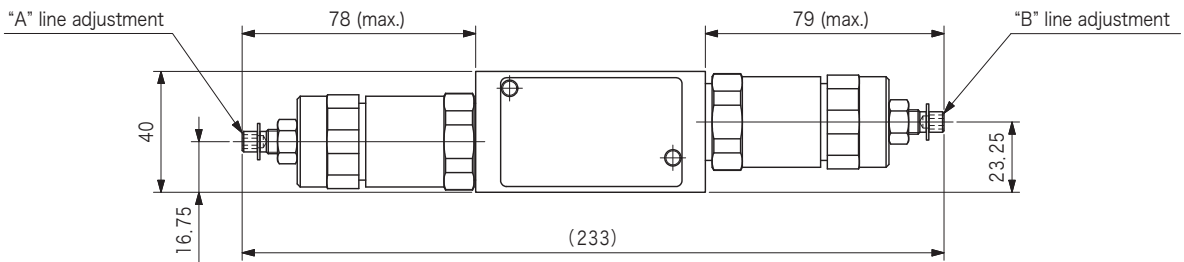
TGMC-3-AB-*W-50 (single relief valve) Weight: 1.3 kg



TGMC-3-BA-*W-50 (single relief valve) Weight: 1.3 kg

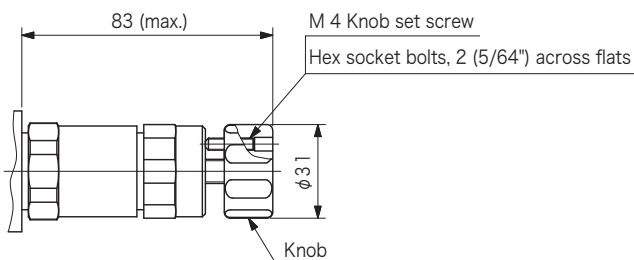


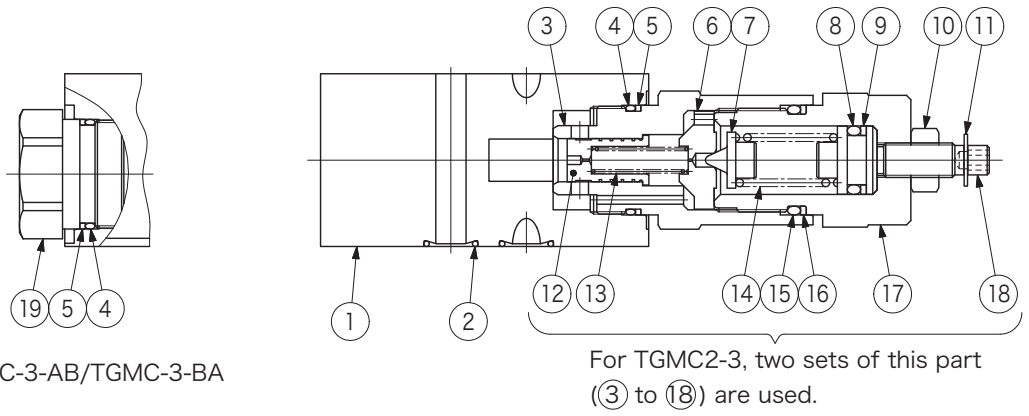
TGMC2-3-AB-*W-BA-*W-50 (double crossport relief valve) Weight: 2.5 kg



Pressure Adjuster (Option)

"H" Type Weight: +0.1 kg (compared to W type)





No.	Name	Part No.	Standard	Qty		
				TGMC-3-*T TGMC-3-**L	TGMC-3-AB TGMC-3-BA	TGMC2-3
2	O-ring	007901219	AS568-012 (NBR, Hs90)	4	4	4
4	O-ring	007902017	AS568-020 (NBR, Hs70)	1	2	2
5	Backup ring	40025055	—	1	2	2
8	O-ring	007911117	AS568-111 (NBR, Hs70)	1	1	2
9	Backup ring	40025057	MS28774-111	1	1	2
15	O-ring	007911717	AS568-117 (NBR, Hs70)	1	1	2
16	Backup ring	40025061	MS28774-117	1	1	2

⑭ Spring

Code	Part No.
A	40025063
B	40025064
F	40025065
G	40025066