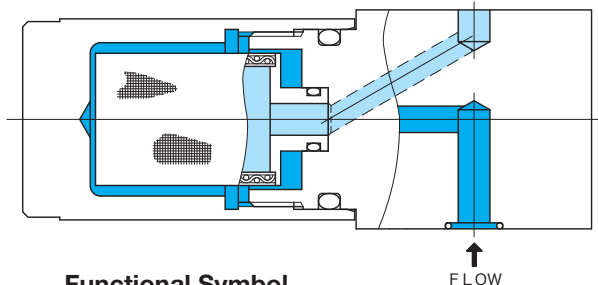
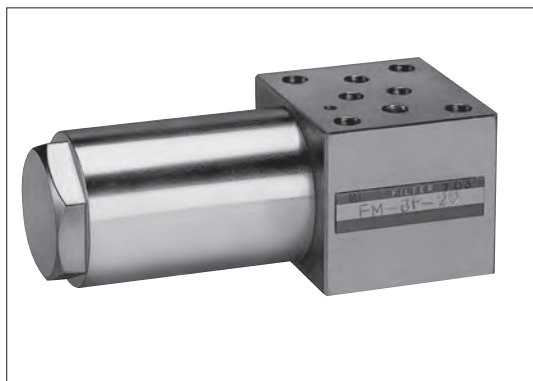
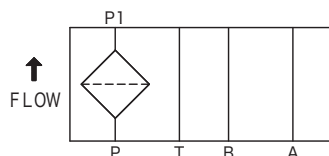


Flui-trol filter valves FP, FM



Functional Symbol



Model Code

(F3)-FP-3P-20

- 1
- 2
- 3
- 4

1] Hydraulic fluid

Omit: mineral oil based fluid, water-glycol based fluid (for FP type)

F3: phosphate ester

F11: water-glycol based fluid (for FM type)

2] Filter

FP: 200 μm plate type

FM: 37 μm cartridge type

F11-FM (for water glycol): 75 μm -S2 (special)

: 200 μm -S3 (special)

3] Line

P: P line

4] Design no.

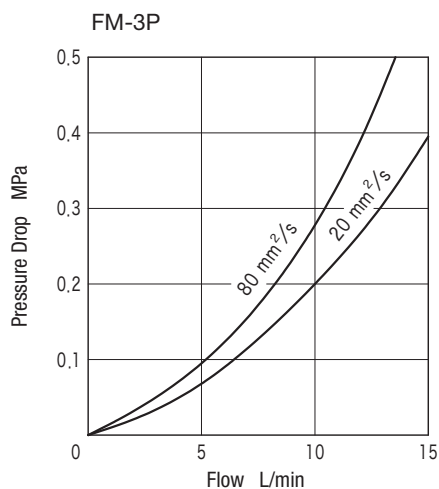
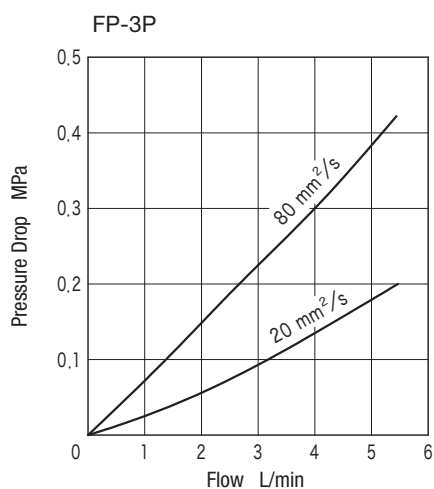
Note: used for P \rightarrow P1 direction only (reverse direction not allowed)

Specifications

| Model Code | Max. Working Pressure MPa | Rated Flow L/min | Filtration Rating μm | Weight kg |
|------------|---------------------------|------------------|---------------------------------|-----------|
| FP-3P | 14 | 5 | 200 | 0.2 |
| FM-3P | | 11.5 | 37 | 0.9 |

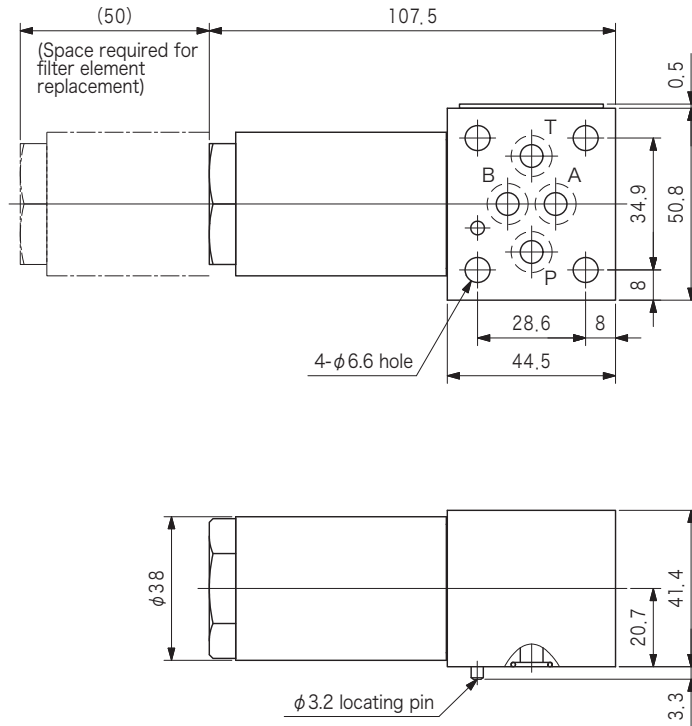
Characteristics Curve (at 20 mm^2/s) (typical examples)

Pressure Drop Characteristics

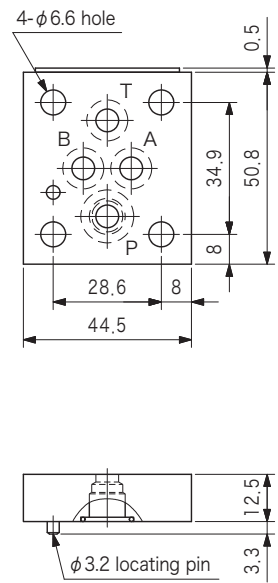


Dimensions

FM-3P

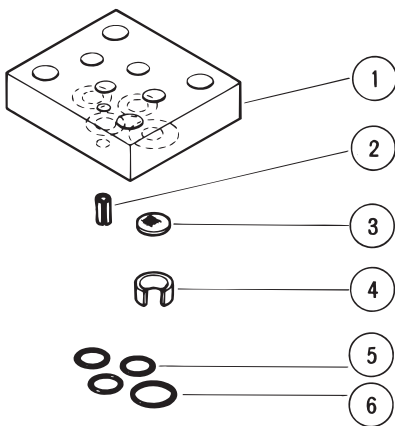


FP-3P



Construction

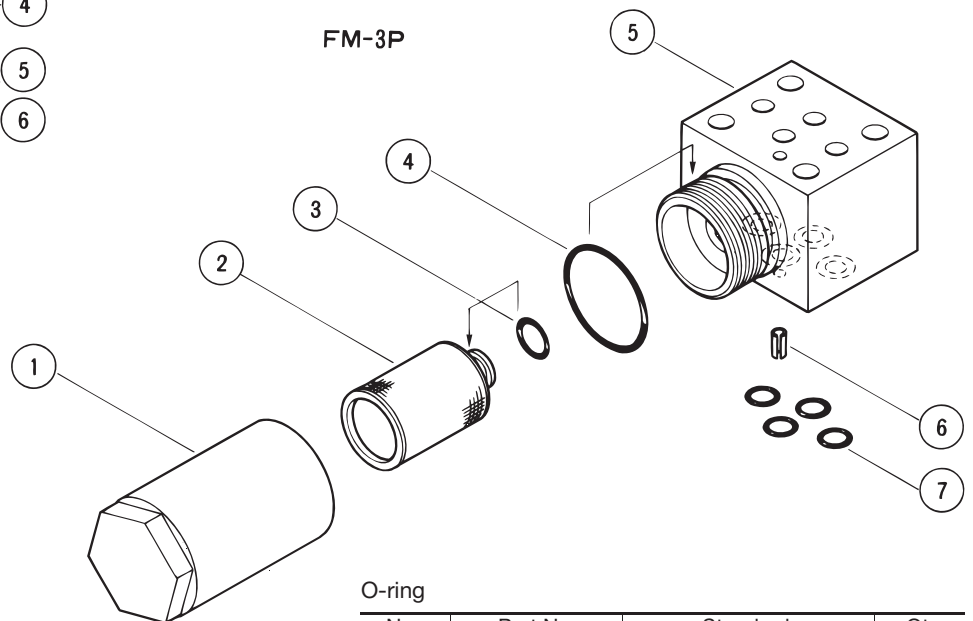
FP-3P



O-ring

| No. | Part No. | Standard | Qty |
|-----|-----------|-----------------------|-----|
| 5 | 007901117 | AS568-011 (NBR, Hs70) | 3 |
| 6 | 007901317 | AS568-013 (NBR, Hs70) | 1 |

FM-3P



O-ring

| No. | Part No. | Standard | Qty |
|-----|-----------|-----------------------|-----|
| 3 | 008000717 | JIS B 2401 1A-P9 | 1 |
| 4 | 008002717 | JIS B 2401 1A-P28 | 1 |
| 7 | 007901117 | AS568-011 (NBR, Hs70) | 4 |