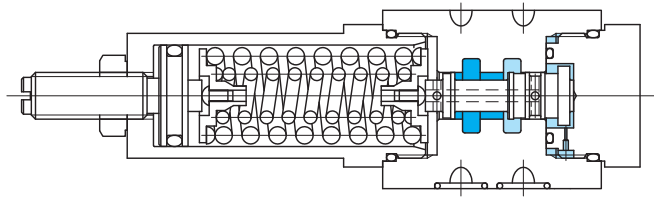
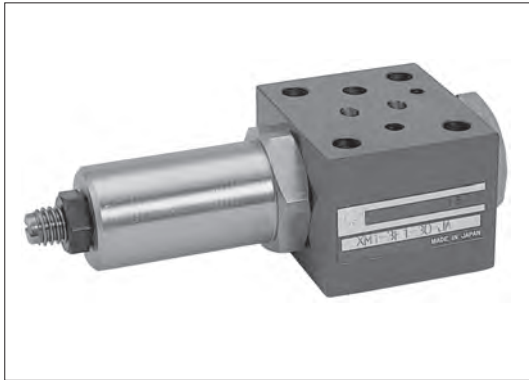
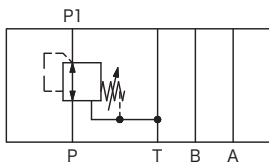


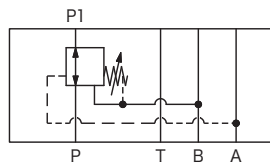
# Flui-trol pressure reducing valves XM1



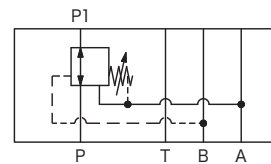
## Functional Symbols



XM1-3F(K)1



XM1-3F(K)3A



XM1-3F(K)3B

## Model Code

(F3)-XM1-3F(K)1-30-JA-(S1)

1 2 3 4 5 6 7

### 1 Hydraulic fluid

Omit: mineral oil based fluid, water-glycol based fluid  
F3: phosphate ester

### 2 Direct pressure reducing valve (P line control)

### 3 Pressure adjustment range

F: 0.35~14 MPa

### 4 Adjuster

Omit: slotted adjustment screw (standard)  
K: knob

### 5 Pilot and vent

1: P line self-pressure pilot/T line vent

3A: A line pilot/B line vent

3B: B line pilot/A line vent

### 6 Design no.

### 7 Special feature

S1: pressure adjustment ranges, 0.1~1 MPa

## Specifications

Model Code	Max. Working Pressure MPa	Rated Flow L/min	Pressure Adjustment Range MPa	Weight kg
XM1-3F	14	11.3	0.35~14	0.7
XM1-3F-S1		5.0	* 0.1~1	

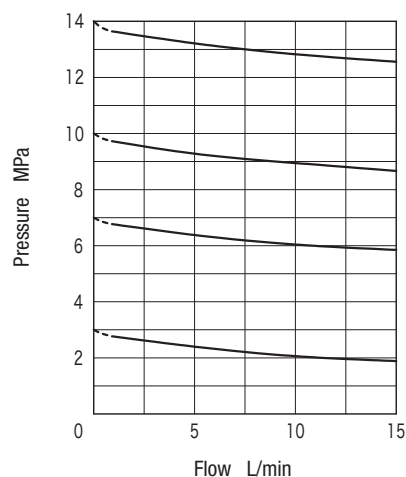
\* Minimum adjustable pressure at 3 L/min

## Notes on Operation

- When using the secondary side pressure, use tapping (gauge port) plate (XAM-02).

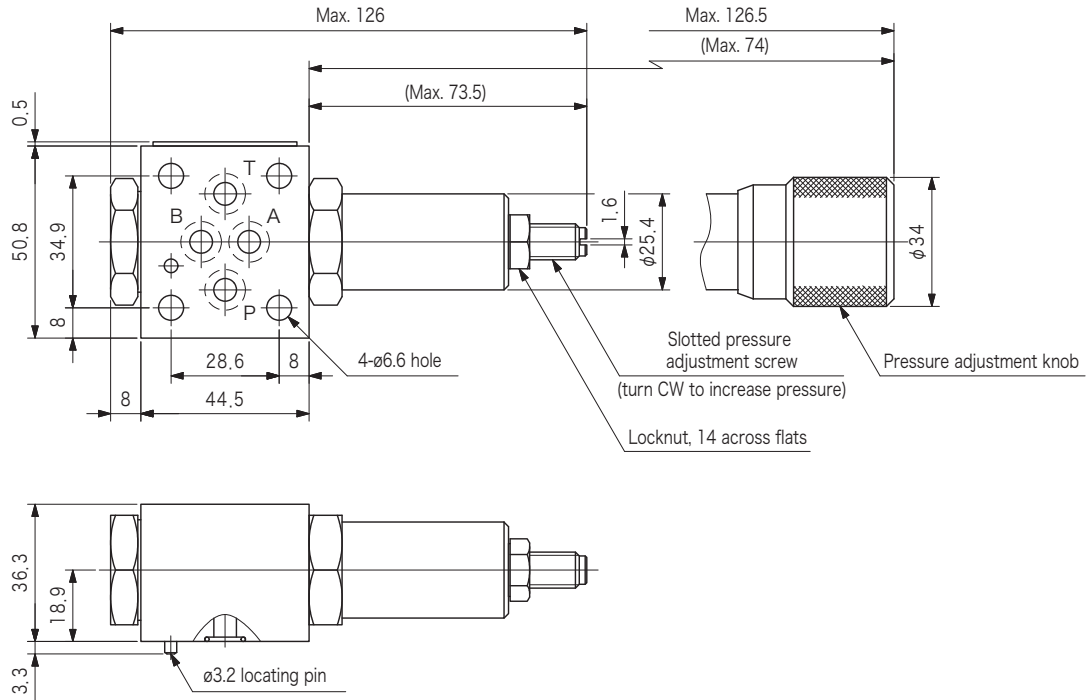
## Characteristics Curve (at 20 mm<sup>2</sup>/s) (typical examples)

### Flow-Pressure Characteristics

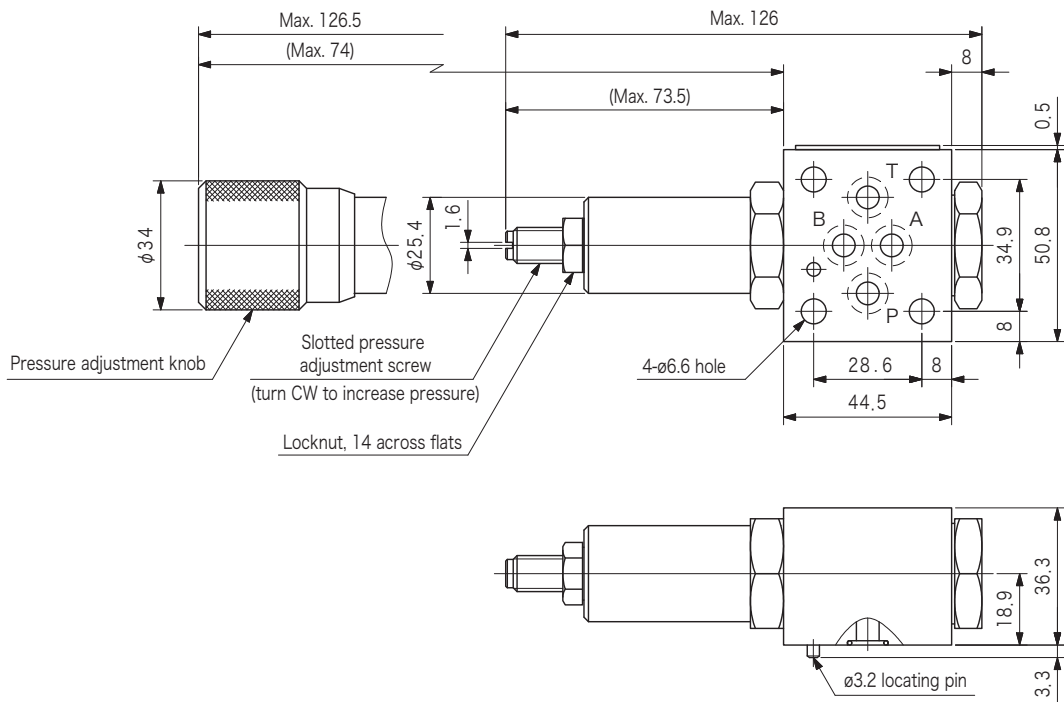


## Dimensions

XM1-3F(K)1  
XM1-3F(K)3B

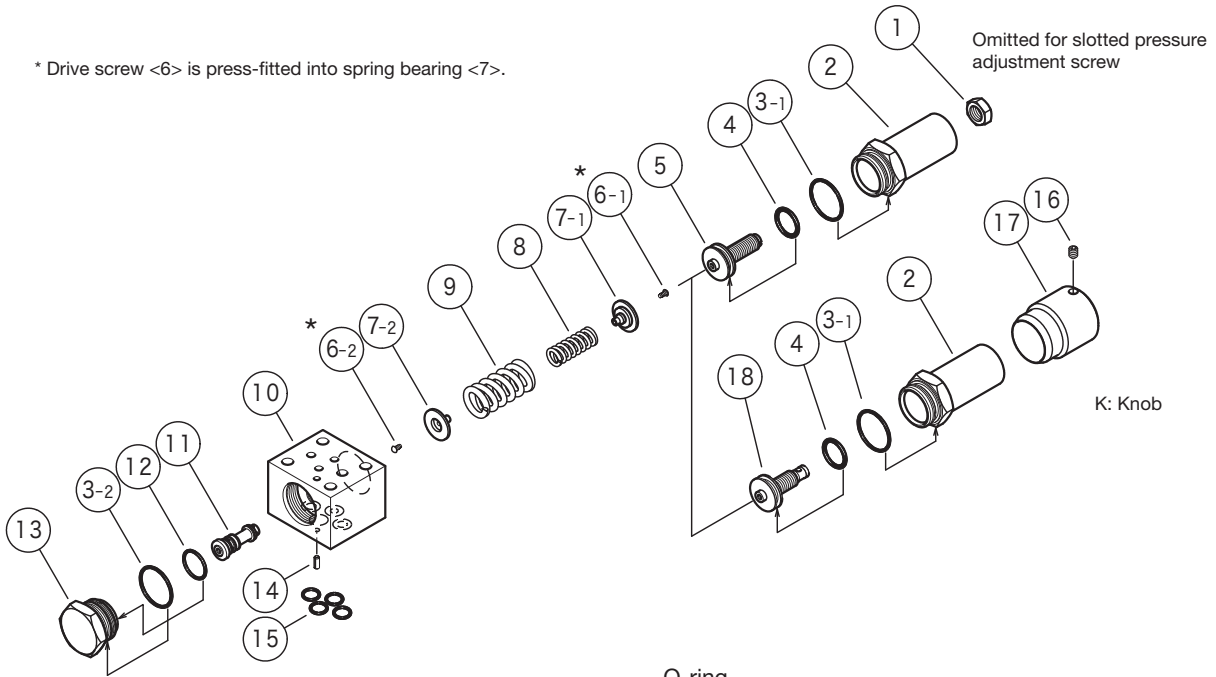


XM1-3F(K)3A



# Construction

\* Drive screw <6> is press-fitted into spring bearing <7>.



Note: Schematics show XM1-3F(K)1/XM1-3F(K)3B.  
See page G2-2 for dimensions on XM1-3F(K)3A.

### O-ring

No.	Part No.	Standard	Qty
3	007902119	AS568-021 (NBR, Hs90)	2
4	007911417	AS568-114 (NBR, Hs70)	1
12	007901617	AS568-016 (NBR, Hs70)	1
15	007901117	AS568-011 (NBR, Hs70)	4