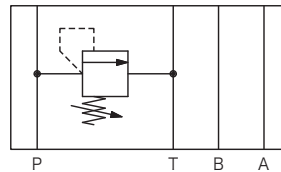
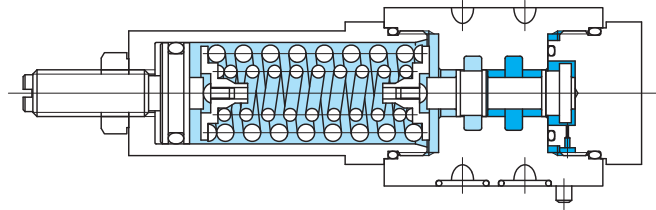
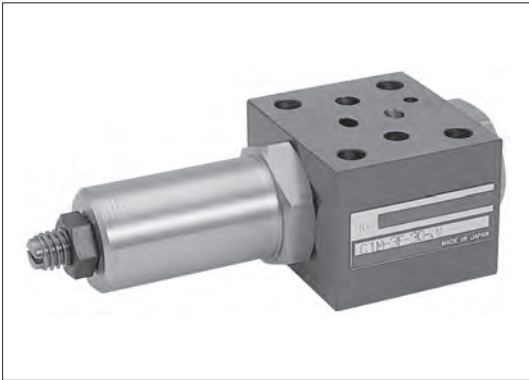
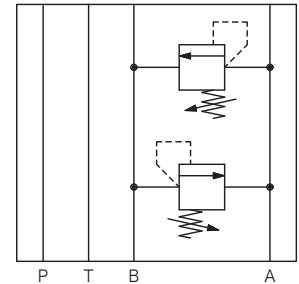


Flui-trol pressure relief valves

C*M



Relief Valves
C1M-3F(K)



Double Relief Valves
C2M-3C(K)

Model Code

(F3)-C1M-3F(K)-30-JA

- 1 2 3 4 5

- 1 Hydraulic fluid
Omit: mineral oil based fluid, water-glycol based fluid
F3: phosphate ester
- 2 Direct relief valves
C1M: relief valve (P line control)
C2M: double relief valve (A, B lines control)
- 3 Pressure adjustment range
F: 0.35 ~ 14 MPa (for C1M)
C: 4 ~ 14 MPa (for C2M)

- 4 Adjuster
Omit: slotted adjustment screw (standard)
K: knob
- 5 Design no.

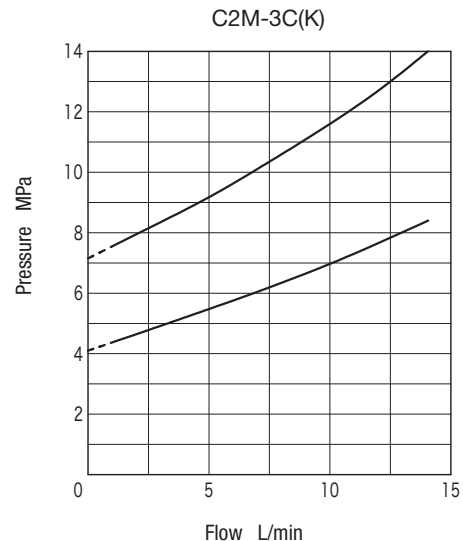
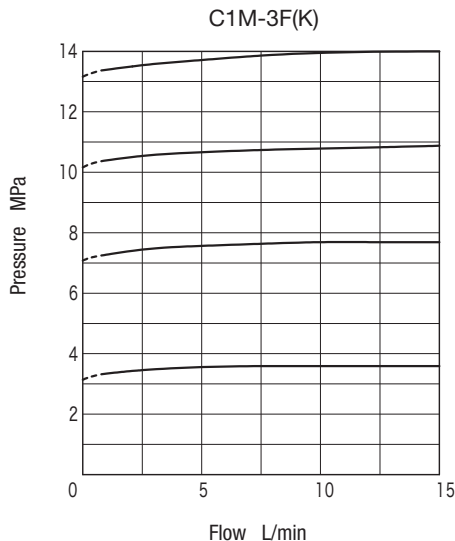
Specifications

Model Code	Max. Working Pressure MPa	Rated Flow L/min	Pressure Adjustment Range MPa	Weight kg
C1M-3F	14	11.3	0.35~14	0.7
C2M-3C		9.0	* 4~14	0.6

* Minimum adjustable pressure at 9 L/min

Characteristics Curve (at 20 mm²/s) (typical examples)

Flow-Pressure Characteristics

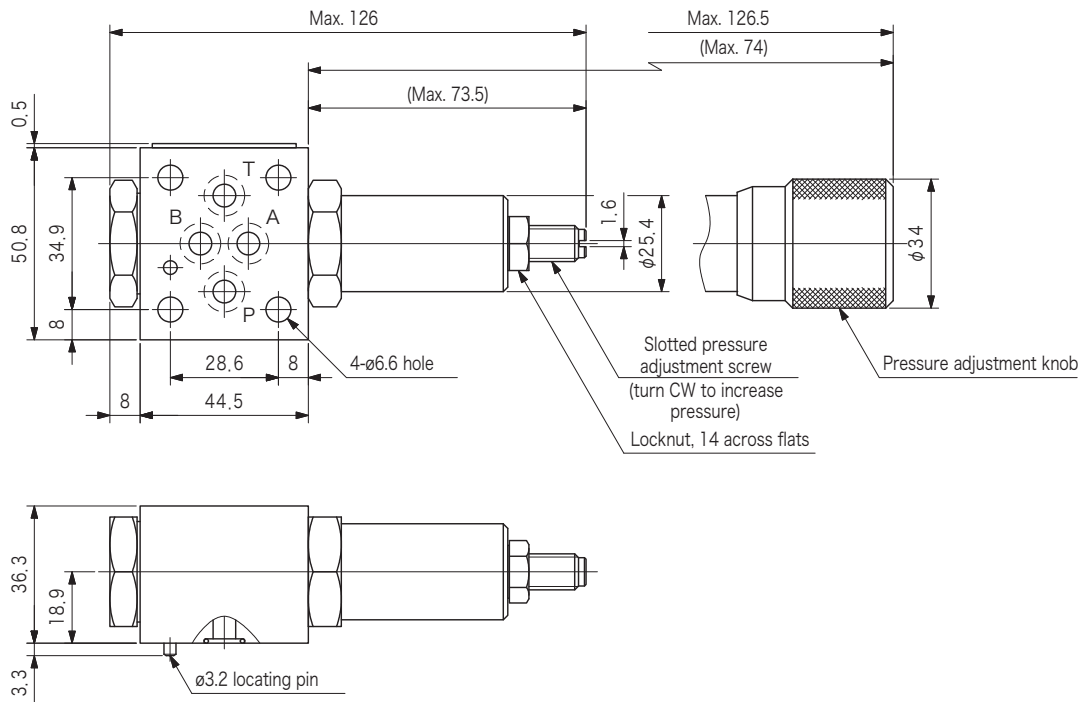


Notes on Operation

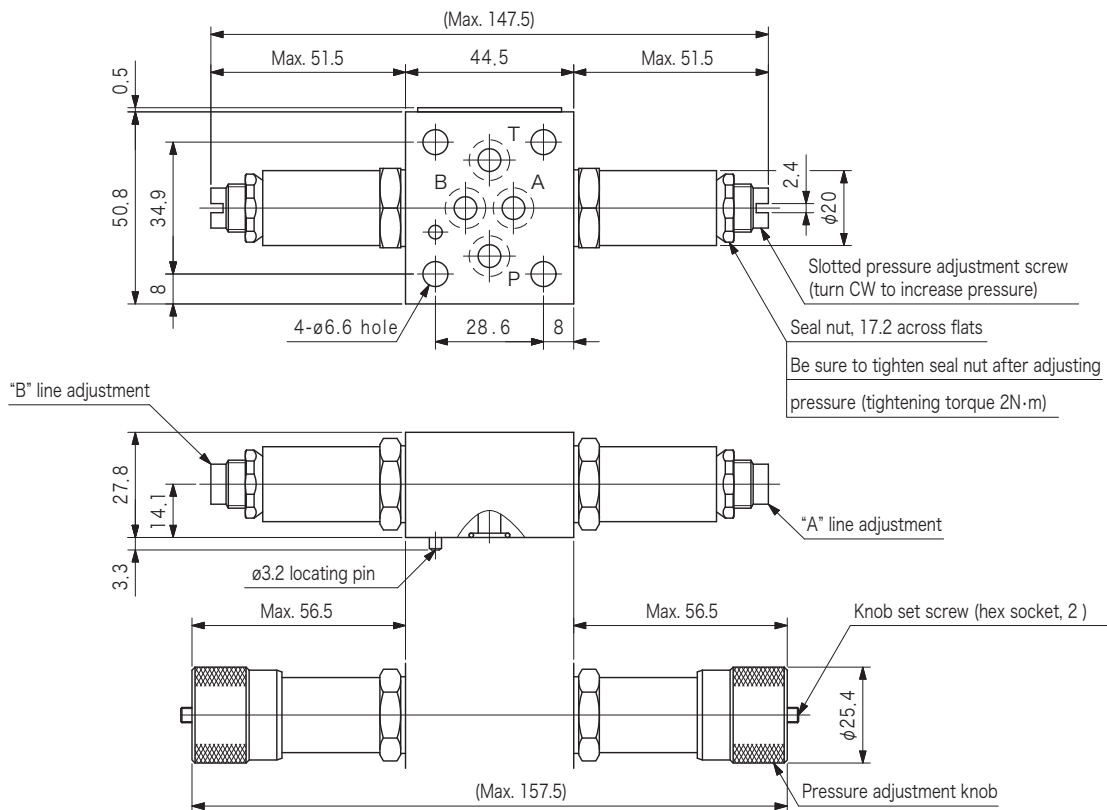
- Do not use relief valve for remote control.

Dimensions

C1M-3F(K)



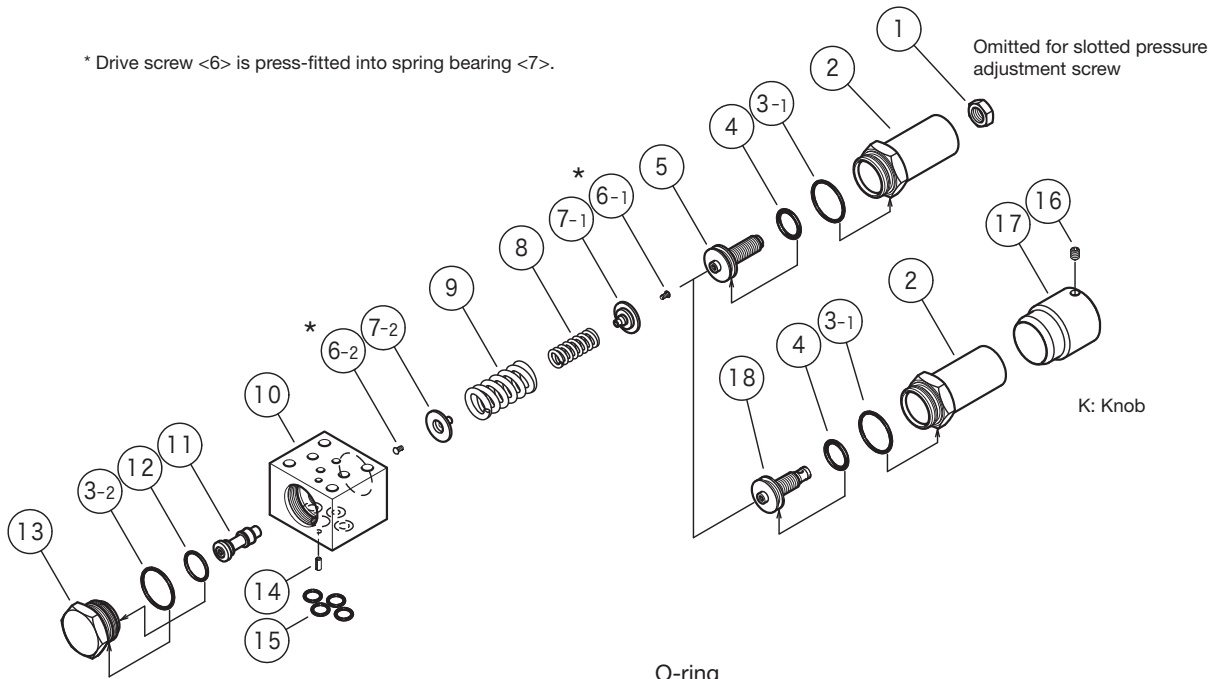
C2M-3C(K)



Construction

C1M-3F

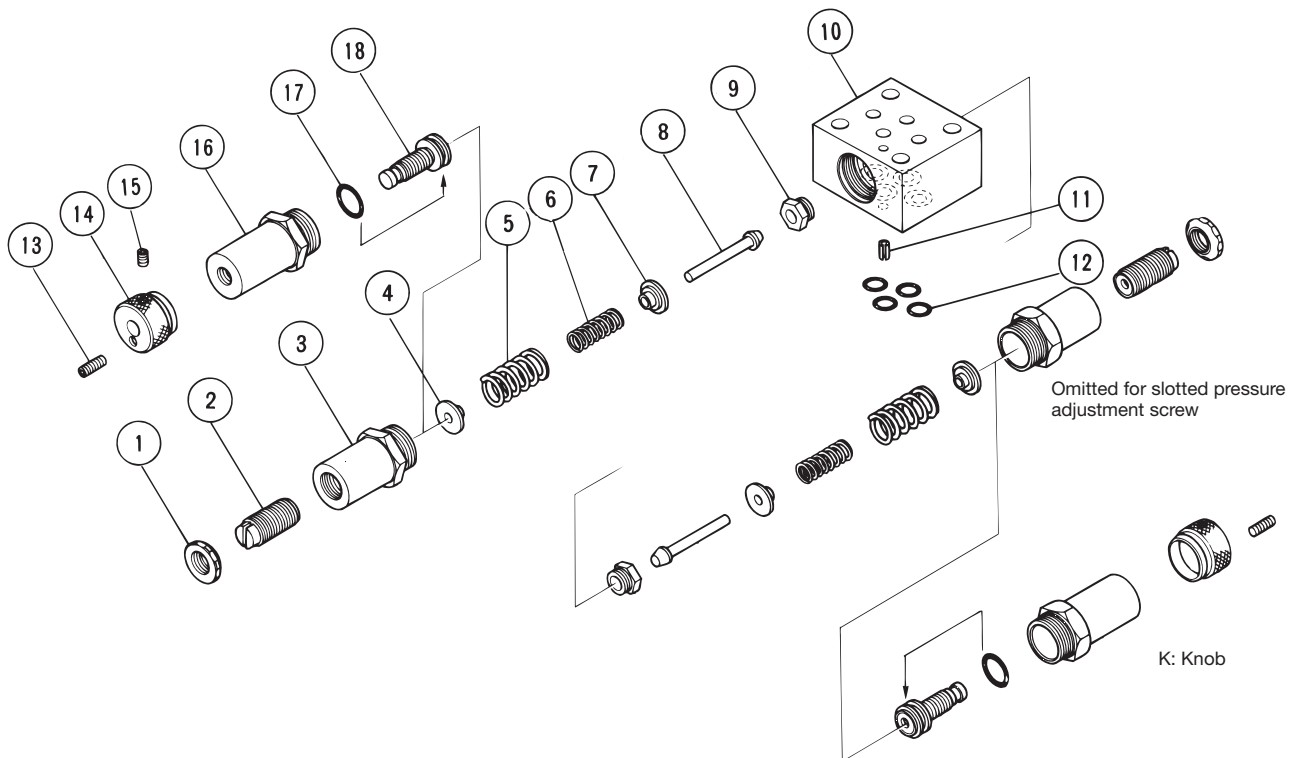
* Drive screw <6> is press-fitted into spring bearing <7>.



O-ring

No.	Part No.	Standard	Qty
3	007902119	AS568-021 (NBR, Hs90)	2
4	007911417	AS568-114 (NBR, Hs70)	1
12	007901617	AS568-016 (NBR, Hs70)	1
15	007901117	AS568-011 (NBR, Hs70)	4

C2M-3C



O-ring

No.	Part No.	Standard	Qty
12	007901117	AS568-011 (NBR, Hs70)	4
17	007901317	AS568-013 (NBR, Hs70)	2

Note: <17> O-ring not used for slotted adjustment screw