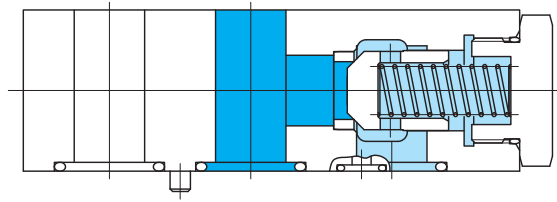
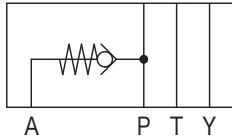


# Check valve modules (for relief valves) URMC



- Used with relief valve to prevent reverse flow at pump start up.

## Functional Symbol



## Model Code

**(F3)-URMC-03-10-S1**

1 2 3 4 5

- 1 Hydraulic fluid  
Omit: mineral oil based fluid, water-glycol based fluid  
F3: phosphate ester
- 2 Check valve modules (for relief valves)
- 3 Size  
Refer to "Specifications".
- 4 Design no.  
10: URMC-03, 10  
11: URMC-06
- 5 Cracking pressure  
Refer to "Specifications".

## Specifications

Model Code	Size	Max. Working Pressure MPa	Rated Flow L/min	Weight kg
URMC-03	03	21	40	3.1
URMC-06	06		100	5.9
URMC-10	10		250	11

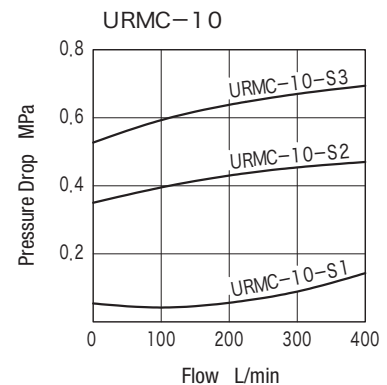
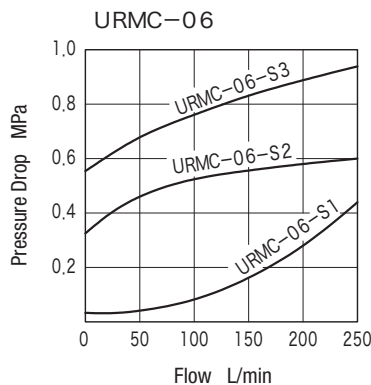
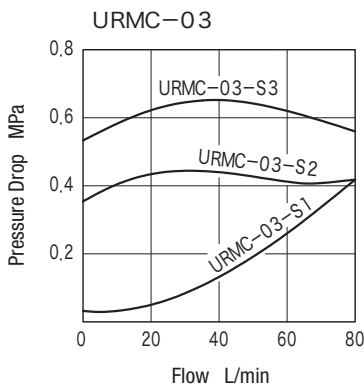
  

Code	S1 (Note)	S2	S3	S4
Cracking Pressure MPa	0.035	0.35	0.53	0.88

Note: URMC-10-10-S1 cracking pressure is 0.05 MPa.

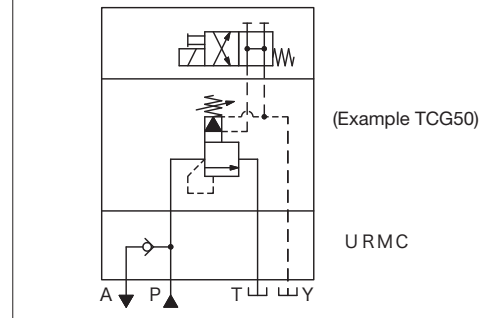
## Characteristics Curve (at 20 mm<sup>2</sup>/s) (typical examples)

### Pressure Drop Characteristics



## Notes on Operation

- Vent port of relief valve cannot be interfaced with gasket surface. If remote control or multistage pressure setting is required, use piping connection or solenoid multistage relief valve, TCG50-80 series.



## Mounting Bolts (JIS B 1176, Strength Class 12.9)

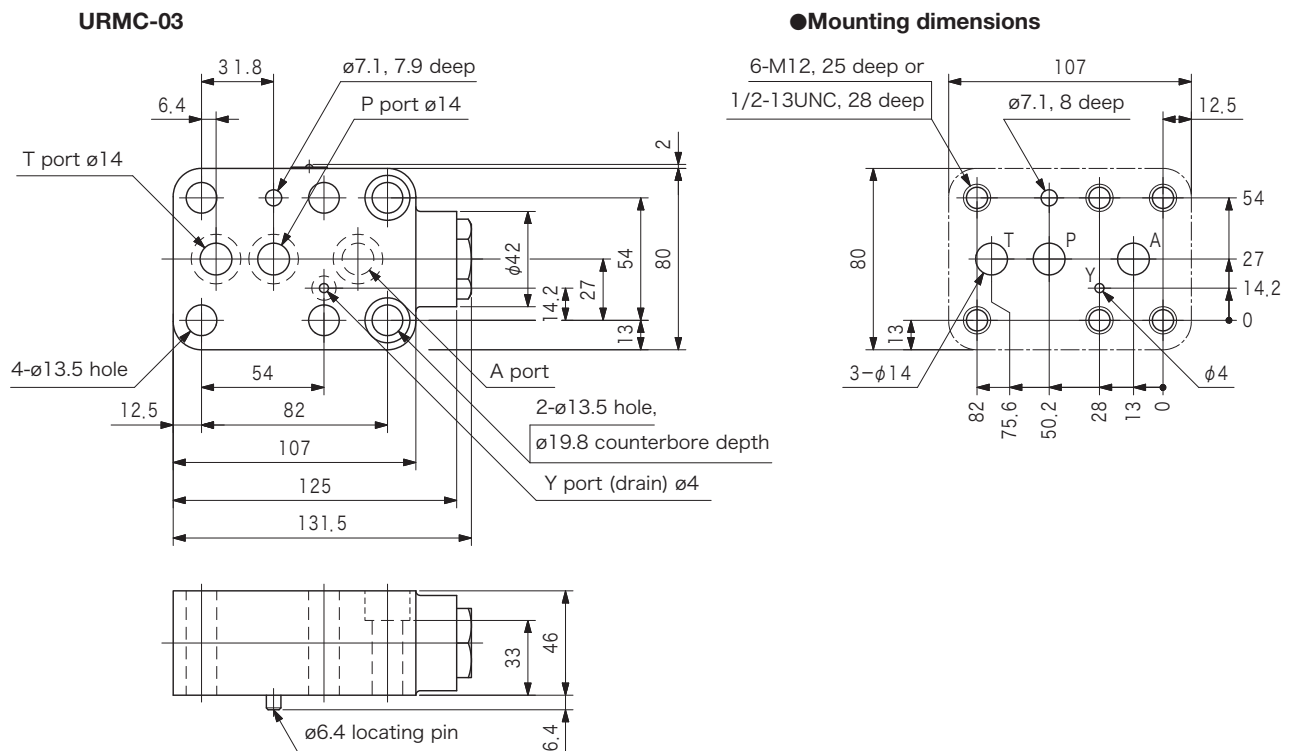
Valve Model	Stacked Relief Valves	Hex Socket Bolts		Qty
		Metric Thread	Unified Thread	
URMC-03	TCG20-03	M12×55	1/2-13UNC×57.1	2
	TCG50~TCG80-03	M12×130	1/2-13UNC×127	4
	CG-03-15	M12×55	1/2-13UNC×57.1	2
		M12×100	1/2-13UNC×101.6	4
URMC-06	TCG20-06	M16×60	5/8-11UNC×63.5	2
	TCG50~TCG80-06	M16×140	5/8-11UNC×139.7	4
	URMC-10	TCG20-10	M16×75	5/8-11UNC×76.2
TCG50~TCG80-10		M20×170	3/4-10UNC×165.1	4

- Mounting bolts must be ordered separately.
- Mounting bolt tightening torque  
 URMC-03: 72~88 N·m  
 URMC-06: 90~110 N·m  
 URMC-10  
 M16, 5/8-11UNC: 90~110 N·m  
 M20, 3/4-10UNC: 180~220 N·m

## Subplate

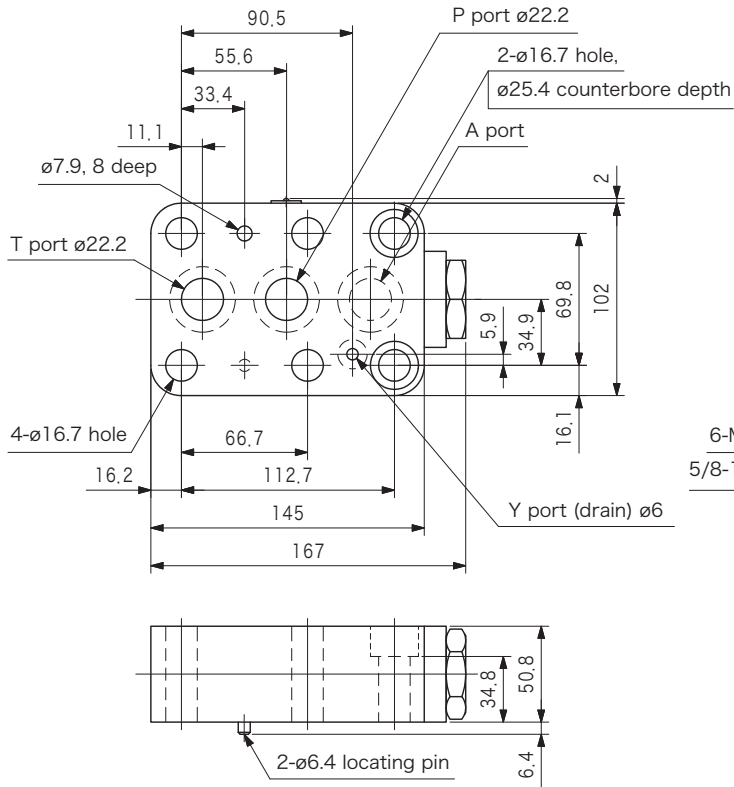
- No subplate is available. Mount on manifold block.

## Dimensions

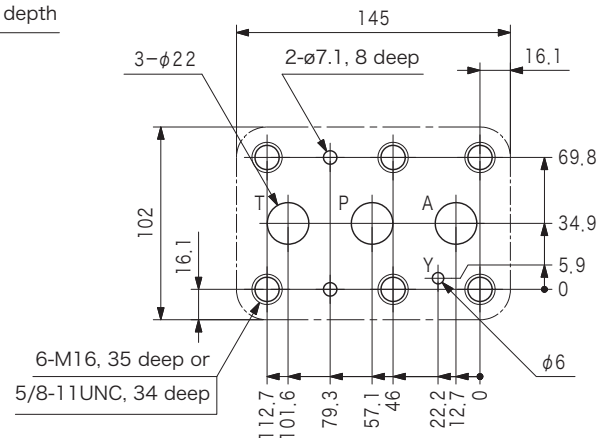


# Dimensions

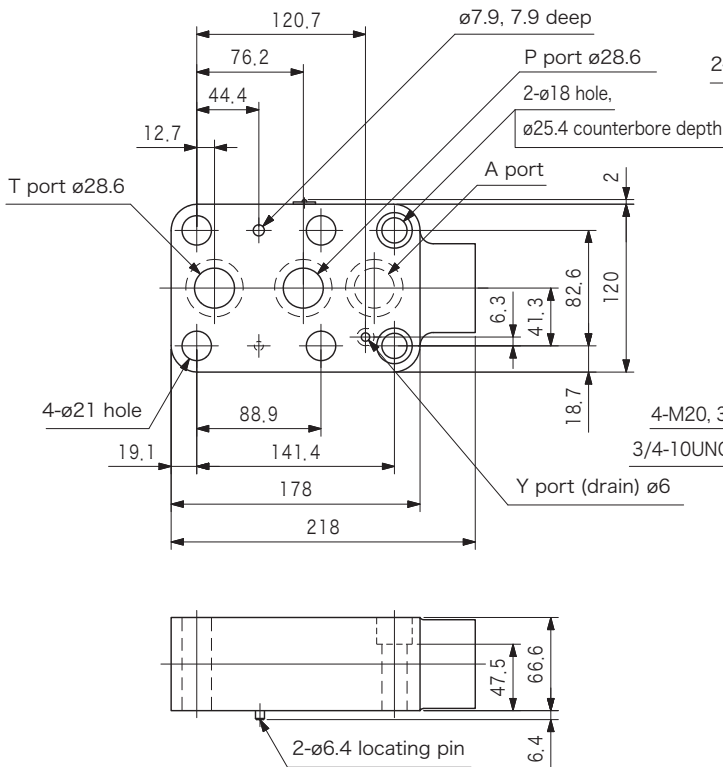
## URMC-06



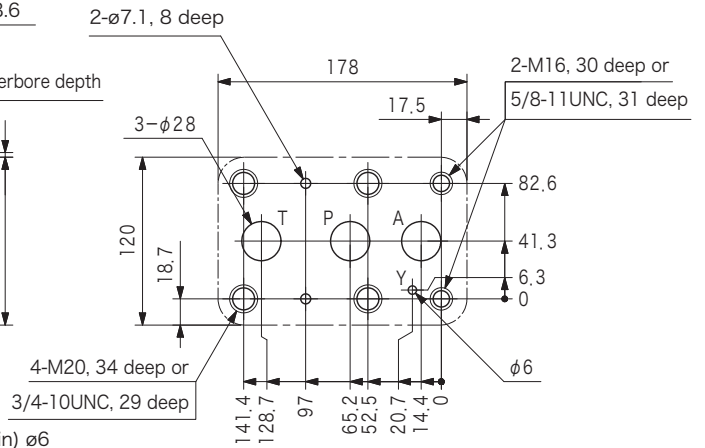
## ●Mounting dimensions



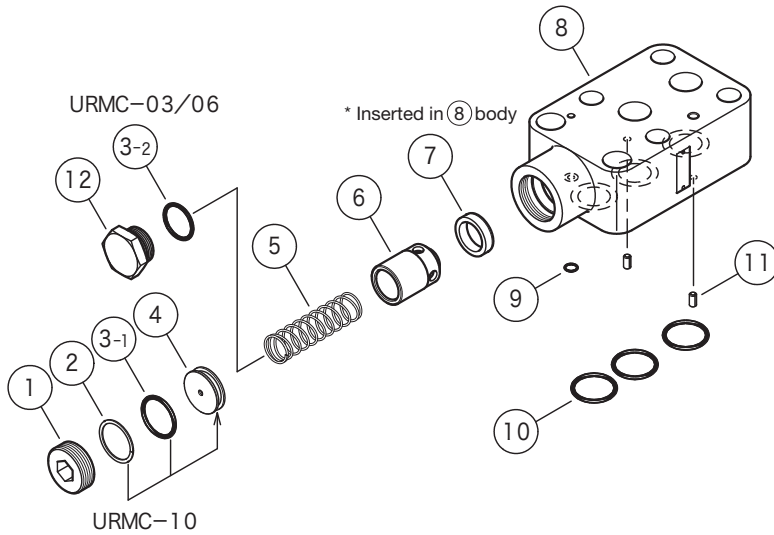
## URMC-10



## ●Mounting dimensions



# Construction



## ⑤ Spring URMC-03

Code	Part No.
S1	VP2978
S2	VP35298
S3	VP55233
S4	VP112407

## URMC-06

Code	Part No.
S1	VP2943
S2	VP25896
S3	VP32999
S4	VP84235

## URMC-10

Code	Part No.
S1	VP2284
S3	40022109
S4	40014039

## O-ring URMC-03

No.	Part No.	Standard	Qty
3	007991019	AS568-910 (NBR, Hs90)	1
9	007901119	AS568-011 (NBR, Hs90)	1
10	007911519	AS568-115 (NBR, Hs90)	3

## Backup ring URMC-10

No.	Part No.	Standard	Qty
2	48197637	MS28774-220	1

## URMC-06

No.	Part No.	Standard	Qty
3	007991619	AS568-916 (NBR, Hs90)	1
9	007911119	AS568-111 (NBR, Hs90)	1
10	007921619	AS568-216 (NBR, Hs90)	3

## URMC-10

No.	Part No.	Standard	Qty
3	007922017	AS568-220 (NBR, Hs70)	1
9	007901219	AS568-012 (NBR, Hs90)	1
10	007922019	AS568-220 (NBR, Hs90)	3